

SSD1327

Advance Information

128 x 128, 16 Gray Scale Dot Matrix OLED/PLED Segment/Common Driver with Controller

Downloaded from: <https://www.crystallfontz.com/controllers/Solomon%20Systech/SSD1327>

This document contains information on a new product. Specifications and information herein are subject to change without notice.

Appendix: IC Revision history of SSD1327 Specification

Version	Change Items	Effective Date
0.10	1 st release	30-May-08
0.20	P.17 Added TR[6:0] on pin description section P.37, 38 Added notes for commands B1h and B8h on command table P.54 Updated the DC characteristics table P.55 Updated the AC characteristics table	04-Sep-08
0.30	P.8, 10 Revise die thickness tolerance from $\pm 25\mu\text{m}$ to $\pm 15\mu\text{m}$ P.11, 12 Revised the typo of LVSS to VLSS on the table of SSD1327Z Bump Die Pad Coordinates P.15, 39, 50 Added command D5h and corresponding information on the command table and related section P.49 Added display on and display off sequences P.62 Added notes (4) and (5) on the application example of SSD1327Z	21-Nov-08
1.0	Change to Advance information P.7 Added title “ V_{CI} and V_{DD} range” for Table 2-1 P.35 Updated section 8.10 VDD regulator P.37 Revised command table of “Function Selection A (ABh)” P.49 Revised description of section 10.1.10 Function Selection A (ABh) P.49, 50 Revised section 10.1.11 Set display ON/OFF P.59 – 63 Updated the condition of AC characteristics from ($V_{DD} - V_{SS} = 2.4\text{V}$ to 2.6V , $V_{CI} = 3.3\text{V}$) to ($V_{CI} - V_{SS} = 1.65\text{V}$ to 3.5V) on Table 13-2 to Table 13-6	09-Dec-08
1.1	P.38 Added a note for command B6h on command table P.51 Revised the description of command B6h	23-Dec-08
1.2	P.10 Updated the “T” alignment mark dimension of Figure 5-2 P.27 Added the ISEG scale factor information on Section 7.6 P.54 Updated the $I_{SLP, VCI}$ sleep mode current section of Table 11-1 Move SSD1327UR1 into appendix	07-Jul-09
1.3	P.10 Add +/- 0.05mm tolerance for Die Size (after sawing) P.32 Update Power On sequence P.65 Update disclaimer	24-May-10
1.4	P.32 Revise wait time from 200ms to 300ms P.56 Revise Table 12-2: 6800-Series MCU Parallel Interface Timing Characteristics P.58 Revise Table 12-3: 8080-Series MCU Parallel Interface Timing Characteristics P.60 Revise Table 12-4: Serial Interface Timing Characteristics (4-wire SPI) P.62 Revise Table 12-5: Serial Interface Timing Characteristics (3-wire SPI)	02-Jul-10
1.5	P.7 & P.9 Replace SSD1327Z by SSD1327ZB and add SSD1327ZB into ordering information	27-Aug-10
1.6	P.26 & P.27 Added tolerance of I_{REF} : $10\mu\text{A} \pm 2\mu\text{A}$ P.63 Update Section 13 Application Exemple	08-Mar-11
1.7	P.63 Updated Section 13 Application Example of SSD1327ZB	14-Jun-11
1.8	P.25 Updated Section 7.3 Oscillator Circuit and Display Time Generator	19-Mar-13

CONTENT

1	GENERAL DESCRIPTION	7
2	FEATURES.....	7
3	ORDERING INFORMATION	7
4	BLOCK DIAGRAM.....	8
5	DIE PAD FLOORPLAN.....	9
6	PIN DESCRIPTIONS	12
7	FUNCTIONAL BLOCK DESCRIPTIONS.....	15
7.1	MCU INTERFACE SELECTION.....	15
7.1.1	MCU Parallel 6800-series Interface.....	15
7.1.2	MCU Parallel 8080-series Interface.....	16
7.1.3	MCU Serial Interface (4-wire SPI).....	17
7.1.4	MCU Serial Interface (3-wire SPI).....	18
7.1.5	MCU I ² C Interface.....	19
7.1.5.1	I ² C-bus Write data.....	20
7.1.5.2	Write mode for I ² C.....	20
7.2	SEGMENT DRIVERS/Common Drivers.....	22
7.3	OSCILLATOR CIRCUIT AND DISPLAY TIME GENERATOR.....	25
7.4	COMMAND DECODER AND COMMAND INTERFACE.....	26
7.5	RESET CIRCUIT.....	26
7.6	SEG/COM DRIVING BLOCK.....	26
7.7	GRAPHIC DISPLAY DATA RAM (GDDRAM).....	27
7.8	GRAY SCALE DECODER.....	30
7.9	POWER ON AND OFF SEQUENCE.....	31
7.10	V _{DD} REGULATOR.....	32
8	COMMAND TABLE	33
8.1	DATA READ / WRITE.....	38
9	COMMAND DESCRIPTIONS.....	39
9.1	FUNDAMENTAL COMMAND DESCRIPTION.....	39
9.1.1	Set Column Address (15h).....	39
9.1.2	Set Row Address (75h).....	39
9.1.3	Set Contrast Current (81h).....	40
9.1.4	NOP (84h ~ 86h).....	40
9.1.5	Set Re-map (A0h).....	40
9.1.6	Set Display Start Line (A1h).....	43
9.1.7	Set Display Offset (A2h).....	44
9.1.8	Set Display Mode (A4h ~ A7h).....	45
9.1.9	Set Multiplex Ratio (A8h).....	46
9.1.10	Function selection A (ABh).....	46
9.1.11	Set Display ON/OFF (AEh / AFh).....	46
9.1.12	Set Phase Length (B1h).....	47
9.1.13	NOP (B2h).....	47
9.1.14	Set Front Clock Divider / Oscillator Frequency (B3h).....	47
9.1.15	Set GPIO (B5h).....	47
9.1.16	Set Second Pre-charge period (B6h).....	48
9.1.17	Set Gray Scale Table (B8h).....	48
9.1.18	Select Default Linear Gray Scale Table (B9h).....	48
9.1.19	NOP (BBh).....	48
9.1.20	Set Pre-charge voltage (BCh).....	48
9.1.21	Set V _{COMH} Voltage (BEh).....	48
9.1.22	Function selection B (D5h).....	49

9.1.23	<i>Set Command Lock (FDh)</i>	49
9.2	GRAPHIC ACCELERATION COMMAND DESCRIPTION.....	50
9.2.1	<i>Horizontal Scroll Setup (26h/27h)</i>	50
9.2.2	<i>Deactivate Scroll (2Eh)</i>	51
9.2.3	<i>Activate Scroll (2Fh)</i>	51
10	MAXIMUM RATINGS	52
11	DC CHARACTERISTICS	53
12	AC CHARACTERISTICS	54
13	APPLICATION EXAMPLE	63
14	PACKAGE INFORMATION	64
14.1	SSD1327ZB DIE TRAY INFORMATION.....	64

TABLES

Table 2-1 V_{CI} and V_{DD} range	7
Table 3-1: Ordering Information	7
Table 5-1: SSD1327ZB Bump Die Pad Coordinates	10
Table 6-1 : SSD1327 Pin Description	12
Table 6-2 : Bus Interface selection	12
Table 7-1 : MCU interface assignment under different bus interface mode	15
Table 7-2 : Control pins of 6800 interface	15
Table 7-3 : Control pins of 8080 interface	17
Table 7-4 : Control pins of 4-wire Serial interface	17
Table 7-5: Control pins of 3-wire Serial interface	18
Table 7-6 : GDDRAM address map 1	27
Table 7-7 : GDDRAM address map 2	28
Table 7-8 : GDDRAM address map 3	28
Table 7-9 : GDDRAM address map 4	29
Table 7-10 : GDDRAM address map 5	29
Table 8-1: Command Table	33
Table 8-2 : Address increment table (Automatic)	38
Table 10-1: Maximum Ratings	52
Table 11-1 : DC Characteristics	53
Table 12-1 : AC Characteristics	54
Table 12-2 : 6800-Series MCU Parallel Interface Timing Characteristics	55
Table 12-3 : 8080-Series MCU Parallel Interface Timing Characteristics	57
Table 12-4 : Serial Interface Timing Characteristics (4-wire SPI)	59
Table 12-5: Serial Interface Timing Characteristics (3-wire SPI)	61
Table 12-6: I ² C Interface Timing Characteristics	62
Table 14-1: SSD1327ZB Die Tray Dimensions	65

FIGURES

Figure 4-1: SSD1327 Block Diagram	8
Figure 5-1: SSD1327ZB Die Drawing	9
Figure 5-2: SSD1327ZB alignment mark dimension.....	9
Figure 7-1 : Data read back procedure - insertion of dummy read	16
Figure 7-2 : Example of Write procedure in 8080 parallel interface mode	16
Figure 7-3 : Example of Read procedure in 8080 parallel interface mode	16
Figure 7-4 : Display data read back procedure - insertion of dummy read.....	17
Figure 7-5 : Write procedure in 4-wire Serial interface mode	18
Figure 7-6: Write procedure in 3-wire Serial interface mode	18
Figure 7-7 : I ² C-bus data format	20
Figure 7-8 : Definition of the Start and Stop Condition.....	21
Figure 7-9 : Definition of the acknowledgement condition	21
Figure 7-10 : Definition of the data transfer condition	21
Figure 7-11: Segment and Common Driver Block Diagram	22
Figure 7-12 : Segment and Common Driver Signal Waveform.....	23
Figure 7-13 : Gray Scale Control by PWM in Segment	24
Figure 7-14: Oscillator Circuit.....	25
Figure 7-15 : I _{REF} Current Setting by Resistor Value.....	27
Figure 7-16 : Relation between GDDRAM content and Gray Scale table entry (under command B9h Enable Linear Gray Scale Table)	30
Figure 7-17 : The Power ON sequence	31
Figure 7-18 : The Power OFF sequence	31
Figure 7-19 V _{CI} > 2.6V, V _{DD} regulator enable pin connection scheme	32
Figure 7-20 V _{DD} regulator disable pin connection scheme	32
Figure 9-1: Example of Column and Row Address Pointer Movement	39
Figure 9-2: Address Pointer Movement of Horizontal Address Increment Mode	40
Figure 9-3: Address Pointer Movement of Vertical Address Increment Mode	41
Figure 9-4: Output pin assignment when command A0h bit A[6]=0.	41
Figure 9-5 : Output pin assignment when command A0h bit A[6]=1.	42
Figure 9-6: Example of Set Display Start Line with no Remapping.....	43
Figure 9-7: Example of Set Display Offset with no Remapping	44
Figure 9-8: Example of Normal Display.....	45
Figure 9-9: Example of Entire Display ON	45
Figure 9-10 : Example of Entire Display OFF	45
Figure 9-11: Example of Inverse Display	45
Figure 9-12: Display ON Sequence (when initial start).....	46
Figure 9-13: Display OFF Sequence.....	46
Figure 9-14: Display ON Sequence (During Sleep mode and internal V _{DD} regulator is disabled)	47
Figure 9-15 : Example of Gamma correction by Gamma Look Up table setting	48
Figure 9-16 : Horizontal scroll example: Scroll RIGHT by 1 column.....	50
Figure 9-17 : Horizontal scroll example: Scroll LEFT by 1 column	50
Figure 9-18 : Horizontal scrolling setup example.....	50
Figure 12-1 : 6800-series MCU parallel interface characteristics.....	56
Figure 12-2 : 8080-series MCU parallel interface characteristics.....	58
Figure 12-3 : Serial interface characteristics (4-wire SPI).....	60
Figure 12-4: Serial interface characteristics (3-wire SPI).....	61
Figure 12-5: I ² C interface Timing characteristics	62
Figure 13-1 : SSD1327ZB application example for 8-bit 6800-parallel interface mode (Internal regulated V _{DD}).....	63
Figure 14-1: SSD1327ZB Die Tray Drawing	64

1 GENERAL DESCRIPTION

SSD1327 is a single-chip CMOS OLED/PLED driver with controller for organic/polymer light emitting diode dot-matrix graphic display system. It consists of 128 segments and 128 commons. This IC is designed for Common Cathode type OLED/PLED panel.

SSD1327 displays data directly from its internal 128 x 128 x 4 bits Graphic Display Data RAM (GDDRAM). Data/Commands are sent from general MCU through the hardware selectable I²C Interface, 6800-/8080-series compatible Parallel Interface or Serial Peripheral Interface.

2 FEATURES

- Resolution: 128 x 128 matrix panel
- Power supply
 - V_{CC} = 8V ~ 18V (Panel driving power supply)
 - V_{CI} = 1.65V – 3.5V (MCU interface logic level & low voltage power supply)
 - V_{DD} = 1.65V – 2.6V (Core V_{DD} power supply, details refer to Table 2-1)

Table 2-1 VCI and VDD range

V _{CI}	V _{DD}	Remark
1.65 V ~ 2.6V	1.65V ~ 2.6V	V _{DD} should be tied to V _{CI} and supplied by external power source
2.6V ~ 3.5V	2.4V ~ 2.6V	V _{DD} is regulated from V _{CI}

- V_{CI} must be higher than or equivalent to V_{DD} at any circumstance
- For matrix display
 - Segment maximum source current: 300uA
 - Common maximum sink current: 40mA
 - 256 step contrast brightness current control
- Embedded 128 x 128 x 4 bit SRAM display buffer
- 16 gray scale
- Pin selectable MCU Interfaces:
 - 8-bit 6800/8080-series parallel interface
 - 3 /4 wire Serial Peripheral Interface
 - I²C Interface
- Screen saving continuous scrolling function in both horizontal and vertical direction
- Programmable Frame Rate
- Programmable Multiplexing Ratio
- Row Re-mapping and Column Re-mapping
- On-Chip Oscillator
- Power On Reset (POR)
- Chip layout for COG , COF
- Wide range of operating temperature: -40°C to 85°C

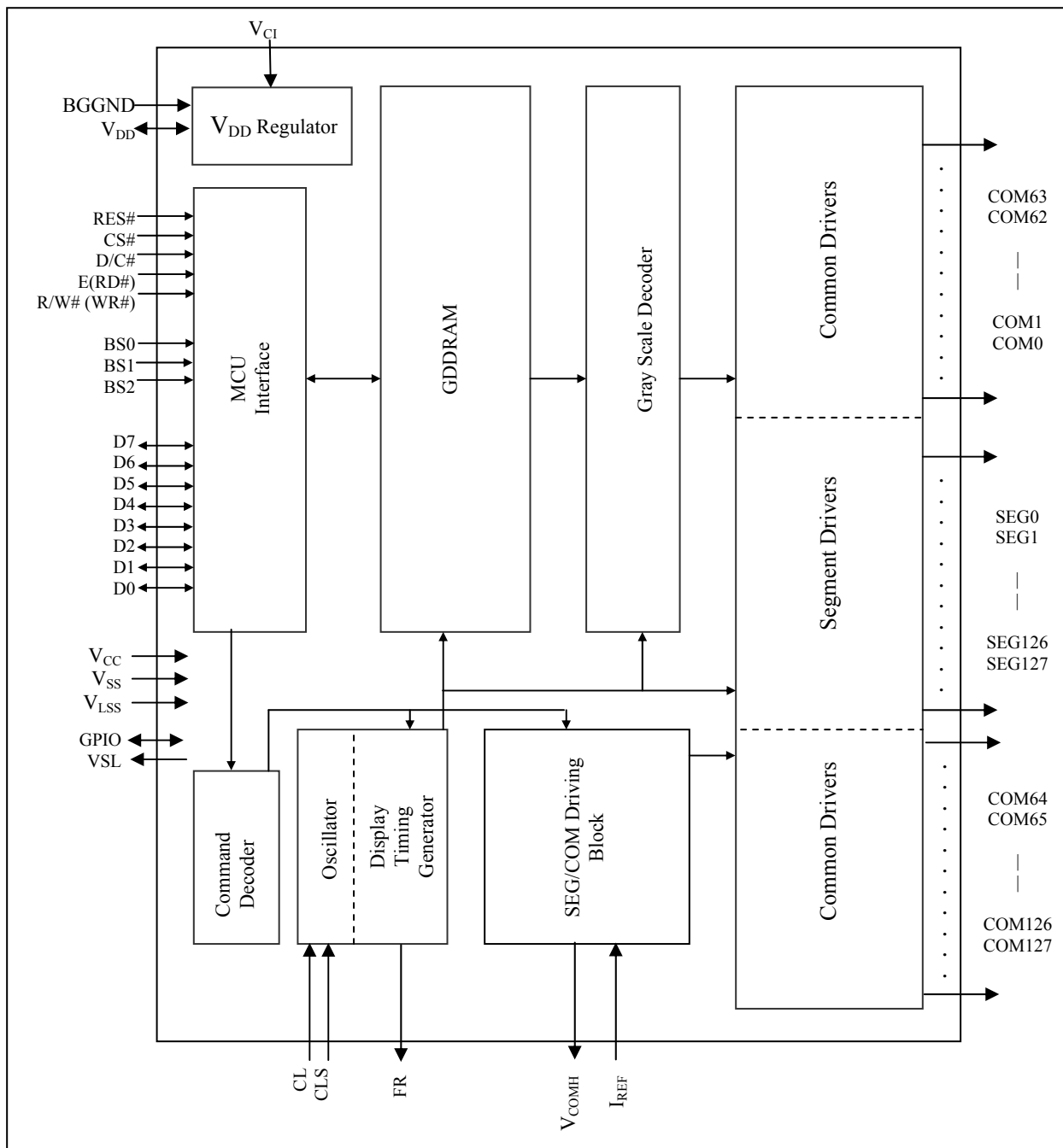
3 ORDERING INFORMATION

Table 3-1: Ordering Information

Ordering Part Number	SEG	COM	Package Form	Reference	Remark
SSD1327ZB	128	128	COG	Page 9	<ul style="list-style-type: none"> ○ Min SEG pad pitch : 28um ○ Min COM pad pitch : 28um ○ Min I/O pad pitch : 60um ○ Die thickness: 300 +/- 15um

4 BLOCK DIAGRAM

Figure 4-1: SSD1327 Block Diagram



5 DIE PAD FLOORPLAN

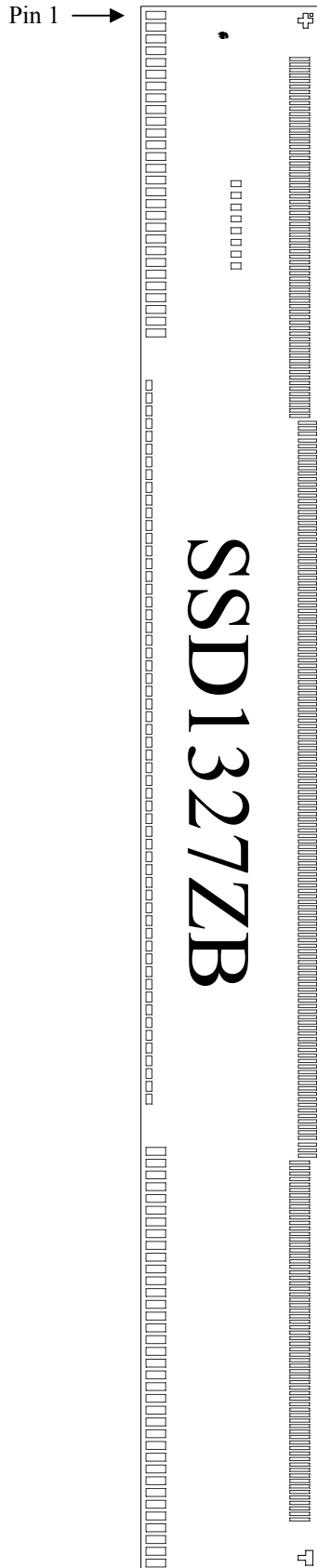


Figure 5-1: SSD1327ZB Die Drawing

Die size	8.0 mm +/- 0.05mm x 0.92 mm +/- 0.05mm
Die thickness	300 +/- 15um
Min I/O pad pitch	60um
Min SEG pad pitch	28um
Min COM pad pitch	28um
Bump height	Nominal 12 um

Bump size		
Pad#	X[um]	Y[um]
1-28, 86-121	40	100
29-85	50	30
122-187, 322-387	16	100
188-321	16	94
388-395	30	50

Alignment mark	Position	Size
+ shape	(-3920, 380)	75um x 75um
T shape	(3920, 380)	75um x 75um
SSL Logo	(-3843, -27)	-

(For details dimension please see Figure 5-2)

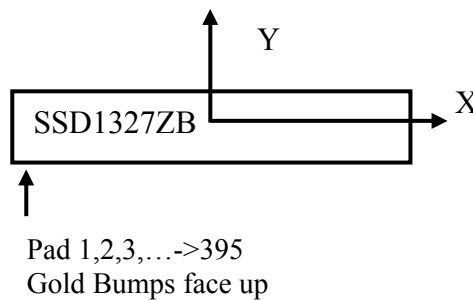


Figure 5-2: SSD1327ZB alignment mark dimension

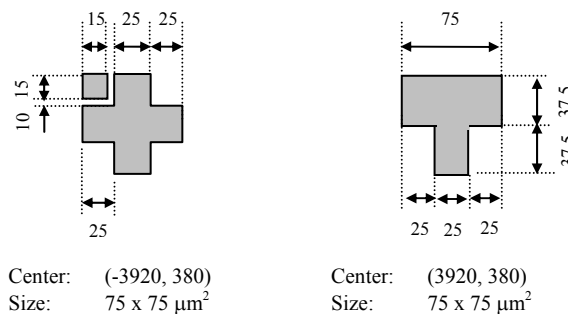


Table 5-1: SSD1327ZB Bump Die Pad Coordinates

Pad no.	Pin name	X-pos	Y-pos	Pad no.	Pin name	X-pos	Y-pos	Pad no.	Pin name	X-pos	Y-pos
1	NC	-3947	-385	81	VLSS	1320	-420	161	COM26	2632	350
2	VSL	-3887	-385	82	VLSS	1385	-420	162	COM25	2604	350
3	VSL	-3827	-385	83	VLSS	1450	-420	163	COM24	2576	350
4	VLSS	-3767	-385	84	VLSS	1515	-420	164	COM23	2548	350
5	VLSS	-3707	-385	85	VLSS	1580	-420	165	COM22	2520	350
6	VSS	-3647	-385	86	VLSS	1847	-385	166	COM21	2492	350
7	VSS	-3587	-385	87	IREF	1907	-385	167	COM20	2464	350
8	BGGND	-3527	-385	88	FR	1967	-385	168	COM19	2436	350
9	NC	-3467	-385	89	CL	2027	-385	169	COM18	2408	350
10	VCC	-3407	-385	90	VSS	2087	-385	170	COM17	2380	350
11	VCC	-3347	-385	91	CS#	2147	-385	171	COM16	2352	350
12	VCC	-3287	-385	92	RES#	2207	-385	172	COM15	2324	350
13	VCOMH	-3227	-385	93	D/C#	2267	-385	173	COM14	2296	350
14	VCOMH	-3167	-385	94	VSS	2327	-385	174	COM13	2268	350
15	GPIO	-3107	-385	95	R/W(WR#)	2387	-385	175	COM12	2240	350
16	VDD	-3047	-385	96	E(RD#)	2447	-385	176	COM11	2212	350
17	VCI	-2987	-385	97	D0	2507	-385	177	COM10	2184	350
18	VCI	-2927	-385	98	D1	2567	-385	178	COM9	2156	350
19	VDD	-2867	-385	99	D2	2627	-385	179	COM8	2128	350
20	VDD	-2807	-385	100	D3	2687	-385	180	COM7	2100	350
21	VCI	-2747	-385	101	D4	2747	-385	181	COM6	2072	350
22	BS0	-2687	-385	102	D5	2807	-385	182	COM5	2044	350
23	VSS	-2627	-385	103	D6	2867	-385	183	COM4	2016	350
24	BS1	-2567	-385	104	D7	2927	-385	184	COM3	1988	350
25	VCI	-2507	-385	105	VSS	2987	-385	185	COM2	1960	350
26	BS2	-2447	-385	106	NC	3047	-385	186	COM1	1932	350
27	VSS	-2387	-385	107	CLS	3107	-385	187	COM0	1904	350
28	VLSS	-2327	-385	108	VCI	3167	-385	188	VCC	1869	390
29	VLSS	-2060	-420	109	VCI	3227	-385	189	VCC	1841	390
30	VLSS	-1995	-420	110	VDD	3287	-385	190	VCC	1813	390
31	VLSS	-1930	-420	111	VDD	3347	-385	191	SEG0	1778	390
32	VLSS	-1865	-420	112	VCOMH	3407	-385	192	SEG1	1750	390
33	VLSS	-1800	-420	113	VCOMH	3467	-385	193	SEG2	1722	390
34	VLSS	-1735	-420	114	VCC	3527	-385	194	SEG3	1694	390
35	VLSS	-1670	-420	115	VCC	3587	-385	195	SEG4	1666	390
36	VLSS	-1605	-420	116	VCC	3647	-385	196	SEG5	1638	390
37	VLSS	-1540	-420	117	NC	3707	-385	197	SEG6	1610	390
38	VLSS	-1475	-420	118	VSS	3767	-385	198	SEG7	1582	390
39	VLSS	-1410	-420	119	VSS	3827	-385	199	SEG8	1554	390
40	VLSS	-1345	-420	120	VSS	3887	-385	200	SEG9	1526	390
41	VLSS	-1280	-420	121	NC	3947	-385	201	SEG10	1498	390
42	VLSS	-1215	-420	122	NC	3724	350	202	SEG11	1470	390
43	VLSS	-1150	-420	123	NC	3696	350	203	SEG12	1442	390
44	VLSS	-1085	-420	124	COM63	3668	350	204	SEG13	1414	390
45	VLSS	-1020	-420	125	COM62	3640	350	205	SEG14	1386	390
46	VLSS	-955	-420	126	COM61	3612	350	206	SEG15	1358	390
47	VLSS	-890	-420	127	COM60	3584	350	207	SEG16	1330	390
48	VLSS	-825	-420	128	COM59	3556	350	208	SEG17	1302	390
49	VLSS	-760	-420	129	COM58	3528	350	209	SEG18	1274	390
50	VLSS	-695	-420	130	COM57	3500	350	210	SEG19	1246	390
51	VLSS	-630	-420	131	COM56	3472	350	211	SEG20	1218	390
52	VLSS	-565	-420	132	COM55	3444	350	212	SEG21	1190	390
53	VLSS	-500	-420	133	COM54	3416	350	213	SEG22	1162	390
54	VLSS	-435	-420	134	COM53	3388	350	214	SEG23	1134	390
55	VLSS	-370	-420	135	COM52	3360	350	215	SEG24	1106	390
56	VLSS	-305	-420	136	COM51	3332	350	216	SEG25	1078	390
57	VLSS	-240	-420	137	COM50	3304	350	217	SEG26	1050	390
58	VLSS	-175	-420	138	COM49	3276	350	218	SEG27	1022	390
59	VLSS	-110	-420	139	COM48	3248	350	219	SEG28	994	390
60	VLSS	-45	-420	140	COM47	3220	350	220	SEG29	966	390
61	VLSS	20	-420	141	COM46	3192	350	221	SEG30	938	390
62	VLSS	85	-420	142	COM45	3164	350	222	SEG31	910	390
63	VLSS	150	-420	143	COM44	3136	350	223	SEG32	882	390
64	VLSS	215	-420	144	COM43	3108	350	224	SEG33	854	390
65	VLSS	280	-420	145	COM42	3080	350	225	SEG34	826	390
66	VLSS	345	-420	146	COM41	3052	350	226	SEG35	798	390
67	VLSS	410	-420	147	COM40	3024	350	227	SEG36	770	390
68	VLSS	475	-420	148	COM39	2996	350	228	SEG37	742	390
69	VLSS	540	-420	149	COM38	2968	350	229	SEG38	714	390
70	VLSS	605	-420	150	COM37	2940	350	230	SEG39	686	390
71	VLSS	670	-420	151	COM36	2912	350	231	SEG40	658	390
72	VLSS	735	-420	152	COM35	2884	350	232	SEG41	630	390
73	VLSS	800	-420	153	COM34	2856	350	233	SEG42	602	390
74	VLSS	865	-420	154	COM33	2828	350	234	SEG43	574	390
75	VLSS	930	-420	155	COM32	2800	350	235	SEG44	546	390
76	VLSS	995	-420	156	COM31	2772	350	236	SEG45	518	390
77	VLSS	1060	-420	157	COM30	2744	350	237	SEG46	490	390
78	VLSS	1125	-420	158	COM29	2716	350	238	SEG47	462	390
79	VLSS	1190	-420	159	COM28	2688	350	239	SEG48	434	390
80	VLSS	1255	-420	160	COM27	2660	350	240	SEG49	406	390

Pad no.	Pin name	X-pos	Y-pos
241	SEG50	378	390
242	SEG51	350	390
243	SEG52	322	390
244	SEG53	294	390
245	SEG54	266	390
246	SEG55	238	390
247	SEG56	210	390
248	SEG57	182	390
249	SEG58	154	390
250	SEG59	126	390
251	SEG60	98	390
252	SEG61	70	390
253	SEG62	42	390
254	SEG63	14	390
255	SEG64	-14	390
256	SEG65	-42	390
257	SEG66	-70	390
258	SEG67	-98	390
259	SEG68	-126	390
260	SEG69	-154	390
261	SEG70	-182	390
262	SEG71	-210	390
263	SEG72	-238	390
264	SEG73	-266	390
265	SEG74	-294	390
266	SEG75	-322	390
267	SEG76	-350	390
268	SEG77	-378	390
269	SEG78	-406	390
270	SEG79	-434	390
271	SEG80	-462	390
272	SEG81	-490	390
273	SEG82	-518	390
274	SEG83	-546	390
275	SEG84	-574	390
276	SEG85	-602	390
277	SEG86	-630	390
278	SEG87	-658	390
279	SEG88	-686	390
280	SEG89	-714	390
281	SEG90	-742	390
282	SEG91	-770	390
283	SEG92	-798	390
284	SEG93	-826	390
285	SEG94	-854	390
286	SEG95	-882	390
287	SEG96	-910	390
288	SEG97	-938	390
289	SEG98	-966	390
290	SEG99	-994	390
291	SEG100	-1022	390
292	SEG101	-1050	390
293	SEG102	-1078	390
294	SEG103	-1106	390
295	SEG104	-1134	390
296	SEG105	-1162	390
297	SEG106	-1190	390
298	SEG107	-1218	390
299	SEG108	-1246	390
300	SEG109	-1274	390
301	SEG110	-1302	390
302	SEG111	-1330	390
303	SEG112	-1358	390
304	SEG113	-1386	390
305	SEG114	-1414	390
306	SEG115	-1442	390
307	SEG116	-1470	390
308	SEG117	-1498	390
309	SEG118	-1526	390
310	SEG119	-1554	390
311	SEG120	-1582	390
312	SEG121	-1610	390
313	SEG122	-1638	390
314	SEG123	-1666	390
315	SEG124	-1694	390
316	SEG125	-1722	390
317	SEG126	-1750	390
318	SEG127	-1778	390
319	VCC	-1813	390
320	VCC	-1841	390

Pad no.	Pin name	X-pos	Y-pos
321	VCC	-1869	390
322	COM64	-1904	350
323	COM65	-1932	350
324	COM66	-1960	350
325	COM67	-1988	350
326	COM68	-2016	350
327	COM69	-2044	350
328	COM70	-2072	350
329	COM71	-2100	350
330	COM72	-2128	350
331	COM73	-2156	350
332	COM74	-2184	350
333	COM75	-2212	350
334	COM76	-2240	350
335	COM77	-2268	350
336	COM78	-2296	350
337	COM79	-2324	350
338	COM80	-2352	350
339	COM81	-2380	350
340	COM82	-2408	350
341	COM83	-2436	350
342	COM84	-2464	350
343	COM85	-2492	350
344	COM86	-2520	350
345	COM87	-2548	350
346	COM88	-2576	350
347	COM89	-2604	350
348	COM90	-2632	350
349	COM91	-2660	350
350	COM92	-2688	350
351	COM93	-2716	350
352	COM94	-2744	350
353	COM95	-2772	350
354	COM96	-2800	350
355	COM97	-2828	350
356	COM98	-2856	350
357	COM99	-2884	350
358	COM100	-2912	350
359	COM101	-2940	350
360	COM102	-2968	350
361	COM103	-2996	350
362	COM104	-3024	350
363	COM105	-3052	350
364	COM106	-3080	350
365	COM107	-3108	350
366	COM108	-3136	350
367	COM109	-3164	350
368	COM110	-3192	350
369	COM111	-3220	350
370	COM112	-3248	350
371	COM113	-3276	350
372	COM114	-3304	350
373	COM115	-3332	350
374	COM116	-3360	350
375	COM117	-3388	350
376	COM118	-3416	350
377	COM119	-3444	350
378	COM120	-3472	350
379	COM121	-3500	350
380	COM122	-3528	350
381	COM123	-3556	350
382	COM124	-3584	350
383	COM125	-3612	350
384	COM126	-3640	350
385	COM127	-3668	350
386	NC	-3696	350
387	NC	-3724	350
388	TR6	-3089	25
389	TR5	-3029	25
390	TR4	-2969	25
391	VSS	-2909	25
392	TR3	-2849	25
393	TR2	-2789	25
394	TR1	-2729	25
395	TR0	-2669	25

6 PIN DESCRIPTIONS

Key:

I = Input	NC = Not Connected
O = Output	Pull LOW= connect to Ground
I/O = Bi-directional (input/output)	Pull HIGH= connect to V_{CI}
P = Power pin	

Table 6-1 : SSD1327 Pin Description

Pin Name	Pin Type	Description												
V_{DD}	P	Power supply pin for core logic operation. V_{DD} can be supplied externally (within the range of 2.4V to 2.6V) or regulated internally from V_{CI} . A capacitor should be connected between V_{DD} and V_{SS} under all circumstances.												
V_{CI}	P	Low voltage power supply and power supply for interface logic level. It should match with the MCU interface voltage level and must be connected to external source. V_{CI} must always set to be equivalent to or higher than V_{DD} .												
V_{CC}	P	Power supply for panel driving voltage. This is also the most positive power voltage supply pin. It is supplied by external high voltage source.												
V_{SS}	P	Ground pin. It must be connected to external ground.												
V_{LSS}	P	Analog system ground pin. It must be connected to external ground.												
V_{COMH}	P	COM signal deselected voltage level. A capacitor should be connected between this pin and V_{SS} . No external power supply is allowed to connect to this pin.												
BGGND	P	It is a reserved pin. It should be connected to Ground.												
GPIO	I/O	It is a GPIO pin. Details refer to command B5h.												
VSL	P	This is segment voltage (output low level) reference pin. When external VSL is not used, this pin should be left open. When external VSL is used, connect with resistor and diode to ground (details depends on application). Note (1) Refer to Table 8-1 Command D5h for details.												
BS[2:0]	I	MCU bus interface selection pins. Select appropriate logic setting as described in the following table. BS2, BS1 and BS0 are pin select. Table 6-2 : Bus Interface selection <table border="1" data-bbox="740 1727 1238 1921"> <thead> <tr> <th>BS[2:0]</th> <th>Interface</th> </tr> </thead> <tbody> <tr> <td>000</td> <td>4 line SPI</td> </tr> <tr> <td>001</td> <td>3 line SPI</td> </tr> <tr> <td>010</td> <td>I²C</td> </tr> <tr> <td>110</td> <td>8-bit 8080 parallel</td> </tr> <tr> <td>100</td> <td>8-bit 6800 parallel</td> </tr> </tbody> </table> Note (1) 0 is connected to V_{SS} (2) 1 is connected to V_{CI}	BS[2:0]	Interface	000	4 line SPI	001	3 line SPI	010	I ² C	110	8-bit 8080 parallel	100	8-bit 6800 parallel
BS[2:0]	Interface													
000	4 line SPI													
001	3 line SPI													
010	I ² C													
110	8-bit 8080 parallel													
100	8-bit 6800 parallel													

Pin Name	Pin Type	Description
I _{REF}	I	This pin is the segment output current reference pin. A resistor should be connected between this pin and V _{SS} to maintain the current around 10uA.
CL	I	External clock input pin. When internal clock is enable (i.e. pull HIGH in CLS pin), this pin is not used and should be connected to Ground. When internal clock is disable (i.e. pull LOW is CLS pin), this pin is the external clock source input pin.
CLS	I	Internal clock selection pin. When this pin is pulled HIGH, internal oscillator is enabled (normal operation). When this pin is pulled LOW, an external clock signal should be connected to CL.
CS#	I	This pin is the chip select input connecting to the MCU. The chip is enabled for MCU communication only when CS# is pulled LOW (active LOW).
RES#	I	This pin is reset signal input. When the pin is pulled LOW, initialization of the chip is executed. Keep this pin pull HIGH during normal operation.
D/C#	I	This pin is Data/Command control pin connecting to the MCU. When the pin is pulled HIGH, the data at D[7:0] will be interpreted as data. When the pin is pulled LOW, the data at D[7:0] will be transferred to a command register. In I ² C mode, this pin acts as SA0 for slave address selection. When 3-wire serial interface is selected, this pin must be connected to V _{SS} . For detail relationship to MCU interface signals, please refer to Table 7-1
R/W# (WR#)	I	This pin is read / write control input pin connecting to the MCU interface. When 6800 interface mode is selected, this pin will be used as Read/Write (R/W#) selection input. Read mode will be carried out when this pin is pulled HIGH and write mode when LOW. When 8080 interface mode is selected, this pin will be the Write (WR#) input. Data write operation is initiated when this pin is pulled LOW and the chip is selected. When serial or I ² C interface is selected, this pin must be connected to V _{SS} .
E (RD#)	I	This pin is MCU interface input. When 6800 interface mode is selected, this pin will be used as the Enable (E) signal. Read/write operation is initiated when this pin is pulled HIGH and the chip is selected. When 8080 interface mode is selected, this pin receives the Read (RD#) signal. Read operation is initiated when this pin is pulled LOW and the chip is selected. When serial or I ² C interface is selected, this pin must be connected to V _{SS} .

Pin Name	Pin Type	Description
D[7:0]	I/O	<p>These pins are bi-directional data bus connecting to the MCU data bus.</p> <p>Unused pins are recommended to tie LOW.</p> <p>When serial interface mode is selected, D0 will be the serial clock input: SCLK; D1 will be the serial data input: SDIN and D2 should be kept NC.</p> <p>When I²C mode is selected, D2, D1 should be tied together and serve as SDA_{out}, SDA_{in} in application and D0 is the serial clock input, SCL.</p>
FR	O	<p>This pin outputs RAM write synchronization signal. Proper timing between MCU data writing and frame display timing can be achieved to prevent tearing effect. It should be kept NC if it is not used.</p>
TR[6:0]	-	Reserved pin and must be kept float.
SEG0 ~ SEG127	O	These pins provide the OLED segment driving signals. These pins are V _{SS} state when display is OFF.
COM0 ~ COM127	I/O	These pins provide the Common switch signals to the OLED panel. These pins are in high impedance state when display is OFF.

7 FUNCTIONAL BLOCK DESCRIPTIONS

7.1 MCU Interface selection

SSD1327 MCU interface consist of 8 data pins and 5 control pins. The pin assignment at different interface mode is summarized in Table 7-1. Different MCU mode can be set by hardware selection on BS[2:0] pins (please refer to Table 6-2 for BS[2:0] setting).

Table 7-1 : MCU interface assignment under different bus interface mode

Pin Name Bus Interface	Data/Command Interface								Control Signal				
	D7	D6	D5	D4	D3	D2	D1	D0	E	R/W#	CS#	D/C#	RES#
8-bit 8080	D[7:0]								RD#	WR#	CS#	D/C#	RES#
8-bit 6800	D[7:0]								E	R/W#	CS#	D/C#	RES#
3-wire SPI	Tie LOW				NC	SDIN	SCLK	Tie LOW	CS#	Tie LOW	RES#		
4-wire SPI	Tie LOW				NC	SDIN	SCLK	Tie LOW	CS#	D/C#	RES#		
I ² C	Tie LOW				SDA _{OUT}	SDA _{IN}	SCL	Tie LOW		SA0	RES#		

7.1.1 MCU Parallel 6800-series Interface

The parallel interface consists of 8 bi-directional data pins (D[7:0]), R/W#, D/C#, E and CS#.

A LOW in R/W# indicates WRITE operation and HIGH in R/W# indicates READ operation.

A LOW in D/C# indicates COMMAND read/write and HIGH in D/C# indicates DATA read/write.

The E input serves as data latch signal while CS# is LOW. Data is latched at the falling edge of E signal.

Table 7-2 : Control pins of 6800 interface

Function	E	R/W#	CS#	D/C#
Write command	↓	L	L	L
Read status	↓	H	L	L
Write data	↓	L	L	H
Read data	↓	H	L	H

Note

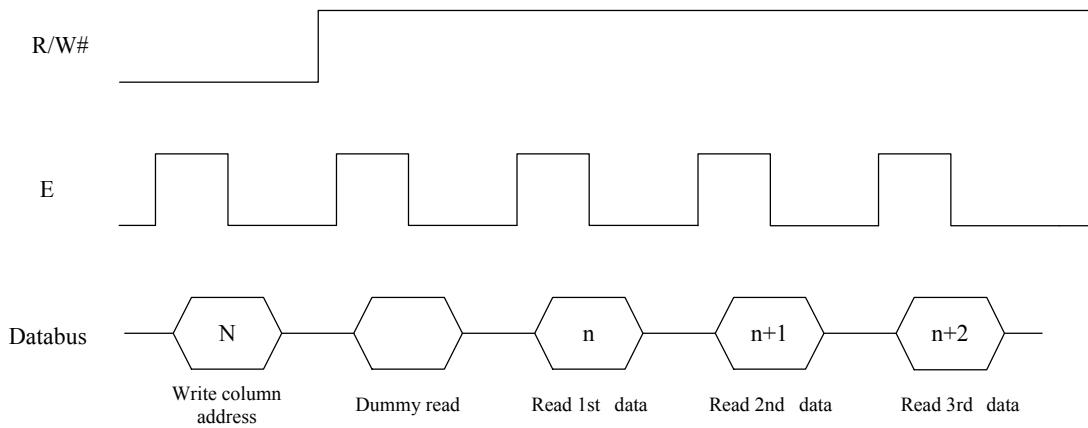
⁽¹⁾ ↓ stands for falling edge of signal

H stands for HIGH in signal

L stands for LOW in signal

In order to match the operating frequency of display RAM with that of the microprocessor, some pipeline processing is internally performed which requires the insertion of a dummy read before the first actual display data read. This is shown in Figure 7-1.

Figure 7-1 : Data read back procedure - insertion of dummy read



7.1.2 MCU Parallel 8080-series Interface

The parallel interface consists of 8 bi-directional data pins (D[7:0]), RD#, WR#, D/C# and CS#.

A LOW in D/C# indicates COMMAND read/write and HIGH in D/C# indicates DATA read/write.

A rising edge of RD# input serves as a data READ latch signal while CS# is kept LOW.

A rising edge of WR# input serves as a data/command WRITE latch signal while CS# is kept LOW.

Figure 7-2 : Example of Write procedure in 8080 parallel interface mode

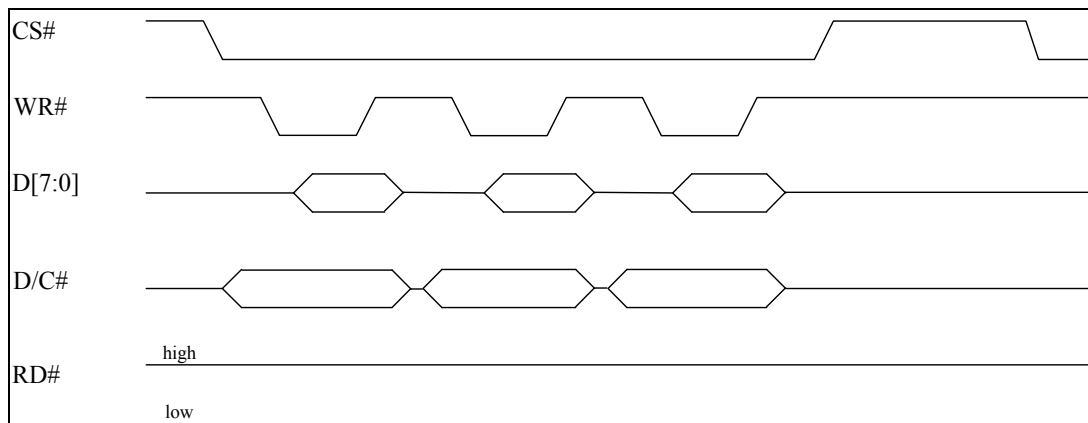


Figure 7-3 : Example of Read procedure in 8080 parallel interface mode

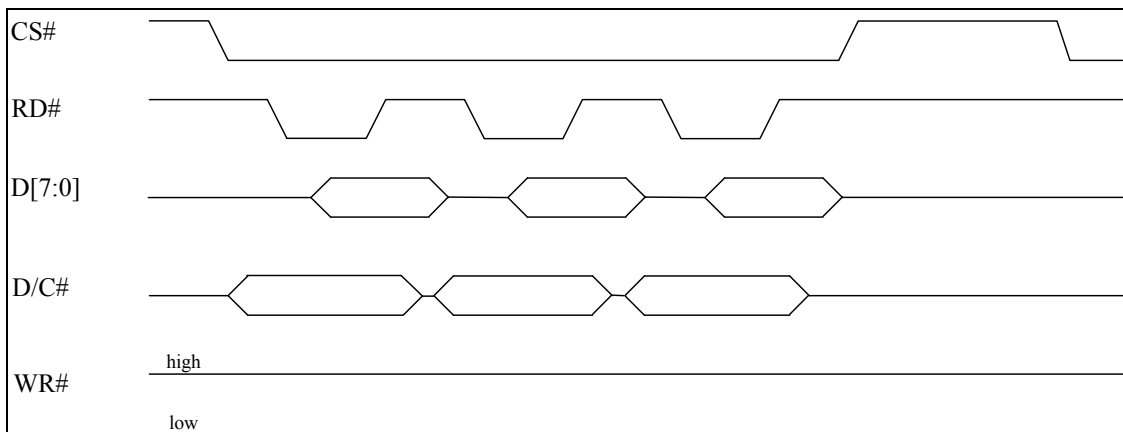


Table 7-3 : Control pins of 8080 interface

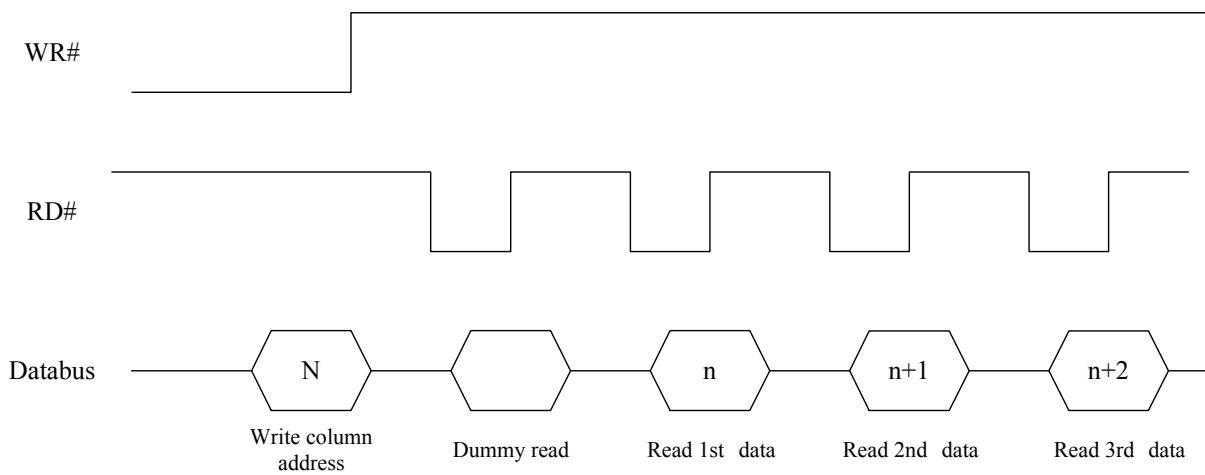
Function	RD#	WR#	CS#	D/C#
Write command	H	↑	L	L
Read status	↑	H	L	L
Write data	H	↑	L	H
Read data	↑	H	L	H

Note

- (1) ↑ stands for rising edge of signal
- (2) H stands for HIGH in signal
- (3) L stands for LOW in signal

In order to match the operating frequency of display RAM with that of the microprocessor, some pipeline processing is internally performed which requires the insertion of a dummy read before the first actual display data read. This is shown in Figure 7-4.

Figure 7-4 : Display data read back procedure - insertion of dummy read



7.1.3 MCU Serial Interface (4-wire SPI)

The serial interface consists of serial clock SCLK, serial data SDIN, D/C#, CS#. In SPI mode, D0 acts as SCLK, D1 acts as SDIN. For the unused data pins, D2 should be left open. The pins from D3 to D7, E and R/W# can be connected to an external ground.

Table 7-4 : Control pins of 4-wire Serial interface

Function	E(RD#)	R/W#(WR#)	CS#	D/C#	D0
Write command	Tie LOW	Tie LOW	L	L	↑
Write data	Tie LOW	Tie LOW	L	H	↑

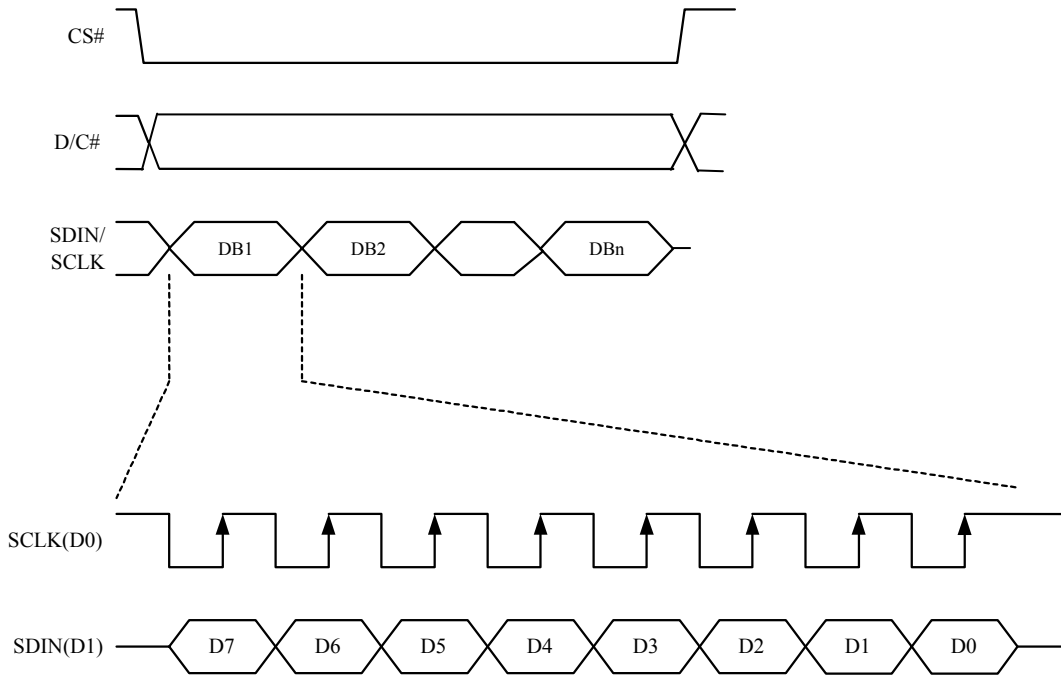
Note

- (1) H stands for HIGH in signal
- (2) L stands for LOW in signal

SDIN is shifted into an 8-bit shift register on every rising edge of SCLK in the order of D7, D6, ... D0. D/C# is sampled on every eighth clock and the data byte in the shift register is written to the Graphic Display Data RAM (GDDRAM) or command register in the same clock.

Under serial mode, only write operations are allowed.

Figure 7-5 : Write procedure in 4-wire Serial interface mode



7.1.4 MCU Serial Interface (3-wire SPI)

The 3-wire serial interface consists of serial clock SCLK, serial data SDIN and CS#.

In 3-wire SPI mode, D0 acts as SCLK, D1 acts as SDIN. For the unused data pins, D2 should be left open. The pins from D3 to D7, R/W# (WR#), E(RD#) and D/C# can be connected to an external ground.

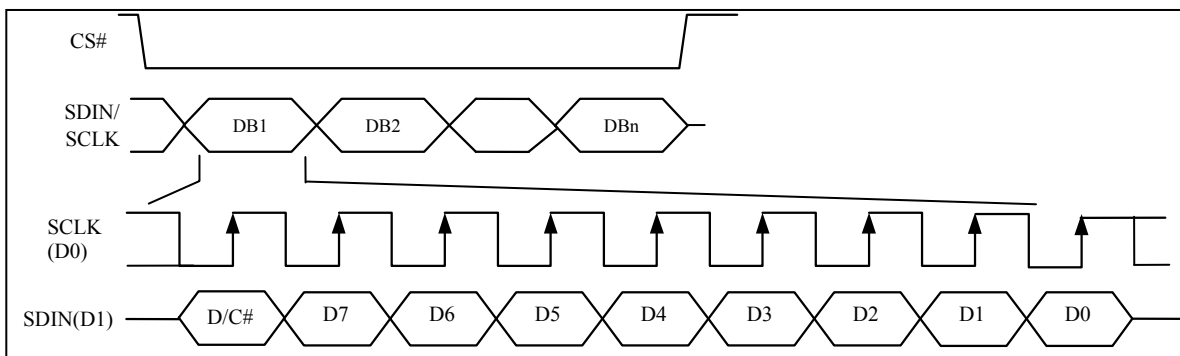
The operation is similar to 4-wire serial interface while D/C# pin is not used. There are altogether 9-bits will be shifted into the shift register on every ninth clock in sequence: D/C# bit, D7 to D0 bit. The D/C# bit (first bit of the sequential data) will determine the following data byte in the shift register is written to the Display Data RAM (D/C# bit = 1) or the command register (D/C# bit = 0). Under serial mode, only write operations are allowed.

Table 7-5: Control pins of 3-wire Serial interface

Function	E(RD#)	R/W#(WR#)	CS#	D/C#	D0
Write command	Tie LOW	Tie LOW	L	Tie LOW	↑
Write data	Tie LOW	Tie LOW	L	Tie LOW	↑

Note
⁽¹⁾ L stands for LOW in signal

Figure 7-6: Write procedure in 3-wire Serial interface mode



7.1.5 MCU I²C Interface

The I²C communication interface consists of slave address bit SA0, I²C-bus data signal SDA (SDA_{OUT}/D₂ for output and SDA_{IN}/D₁ for input) and I²C-bus clock signal SCL (D₀). Both the data and clock signals must be connected to pull-up resistors. RES# is used for the initialization of device.

a) Slave address bit (SA0)

SSD1327 has to recognize the slave address before transmitting or receiving any information by the I²C-bus. The device will respond to the slave address following by the slave address bit (“SA0” bit) and the read/write select bit (“R/W#” bit) with the following byte format,

b₇ b₆ b₅ b₄ b₃ b₂ b₁ b₀
0 1 1 1 1 0 SA0 R/W#

“SA0” bit provides an extension bit for the slave address. Either “0111100” or “0111101”, can be selected as the slave address of SSD1327. D/C# pin acts as SA0 for slave address selection.

“R/W#” bit is used to determine the operation mode of the I²C-bus interface. R/W#=1, it is in read mode. R/W#=0, it is in write mode.

b) I²C-bus data signal (SDA)

SDA acts as a communication channel between the transmitter and the receiver. The data and the acknowledgement are sent through the SDA.

It should be noticed that the ITO track resistance and the pulled-up resistance at “SDA” pin becomes a voltage potential divider. As a result, the acknowledgement would not be possible to attain a valid logic 0 level in “SDA”.

“SDA_{IN}” and “SDA_{OUT}” are tied together and serve as SDA. The “SDA_{IN}” pin must be connected to act as SDA. The “SDA_{OUT}” pin may be disconnected. When “SDA_{OUT}” pin is disconnected, the acknowledgement signal will be ignored in the I²C-bus.

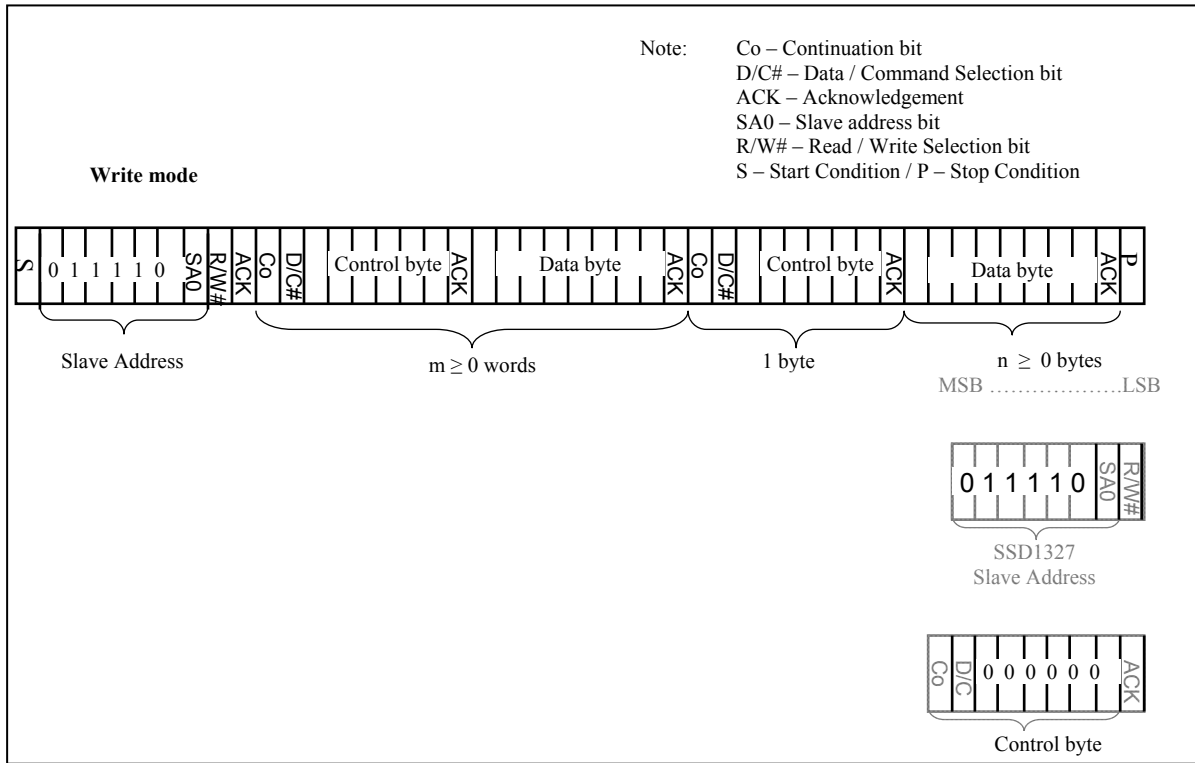
c) I²C-bus clock signal (SCL)

The transmission of information in the I²C-bus is following a clock signal, SCL. Each transmission of data bit is taken place during a single clock period of SCL.

7.1.5.1 I²C-bus Write data

The I²C-bus interface gives access to write data and command into the device. Please refer to Figure 7-7 for the write mode of I²C-bus in chronological order.

Figure 7-7 : I²C-bus data format



7.1.5.2 Write mode for I²C

- 1) The master device initiates the data communication by a start condition. The definition of the start condition is shown in Figure 7-8. The start condition is established by pulling the SDA from HIGH to LOW while the SCL stays HIGH.
- 2) The slave address is following the start condition for recognition use. For the SSD1327, the slave address is either “b0111100” or “b0111101” by changing the SA0 to LOW or HIGH (D/C pin acts as SA0).
- 3) The write mode is established by setting the R/W# bit to logic “0”.
- 4) An acknowledgement signal will be generated after receiving one byte of data, including the slave address and the R/W# bit. Please refer to the Figure 7-9 for the graphical representation of the acknowledge signal. The acknowledge bit is defined as the SDA line is pulled down during the HIGH period of the acknowledgement related clock pulse.
- 5) After the transmission of the slave address, either the control byte or the data byte may be sent across the SDA. A control byte mainly consists of Co and D/C# bits following by six “0” ‘s.
 - a. If the Co bit is set as logic “0”, the transmission of the following information will contain data bytes only.
 - b. The D/C# bit determines the next data byte is acted as a command or a data. If the D/C# bit is set to logic “0”, it defines the following data byte as a command. If the D/C# bit is set to logic “1”, it defines the following data byte as a data which will be stored at the GDDRAM. The GDDRAM column address pointer will be increased by one automatically after each data write.
- 6) Acknowledge bit will be generated after receiving each control byte or data byte.
- 7) The write mode will be finished when a stop condition is applied. The stop condition is also defined in Figure 7-8. The stop condition is established by pulling the “SDA in” from LOW to HIGH while the “SCL” stays HIGH.

Figure 7-8 : Definition of the Start and Stop Condition

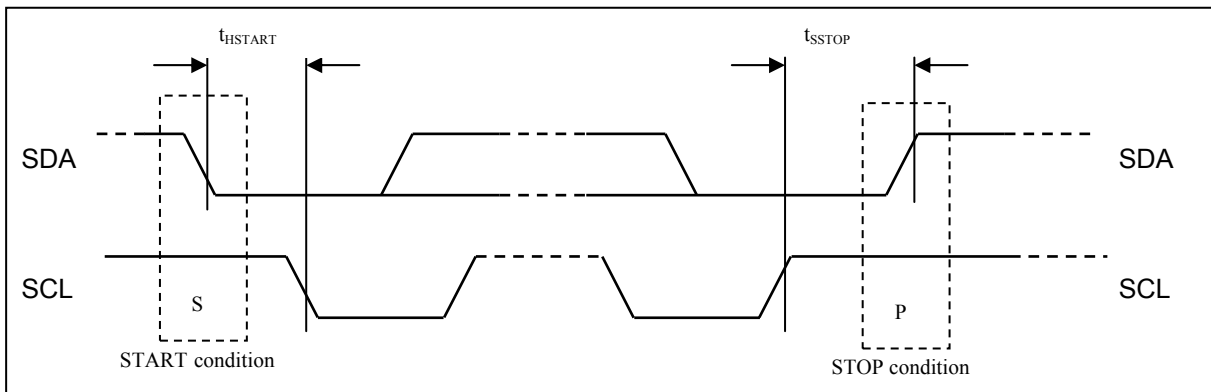
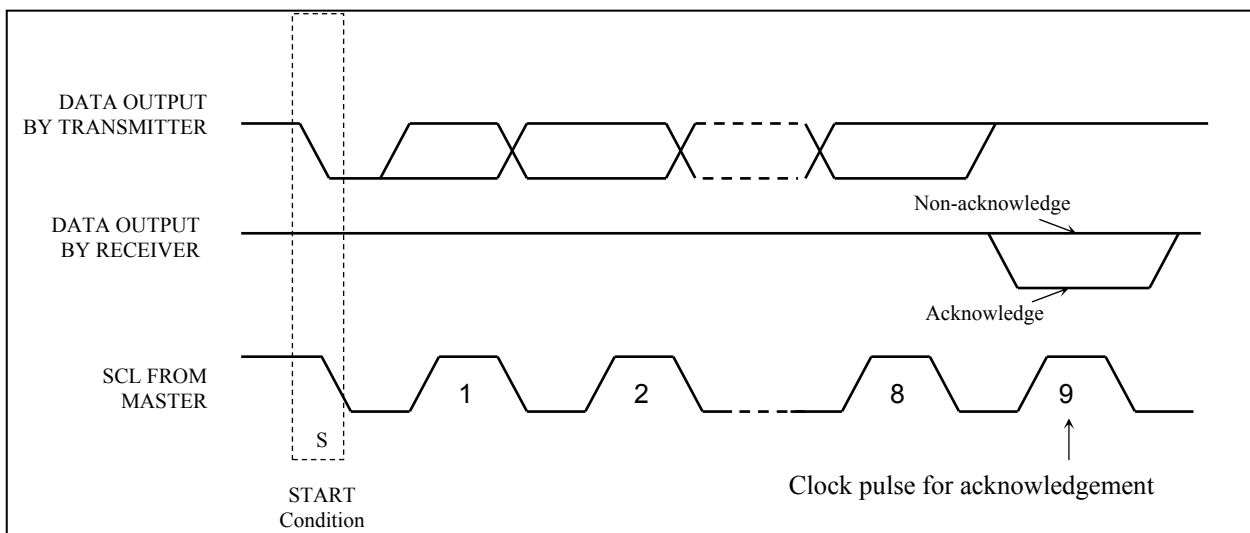


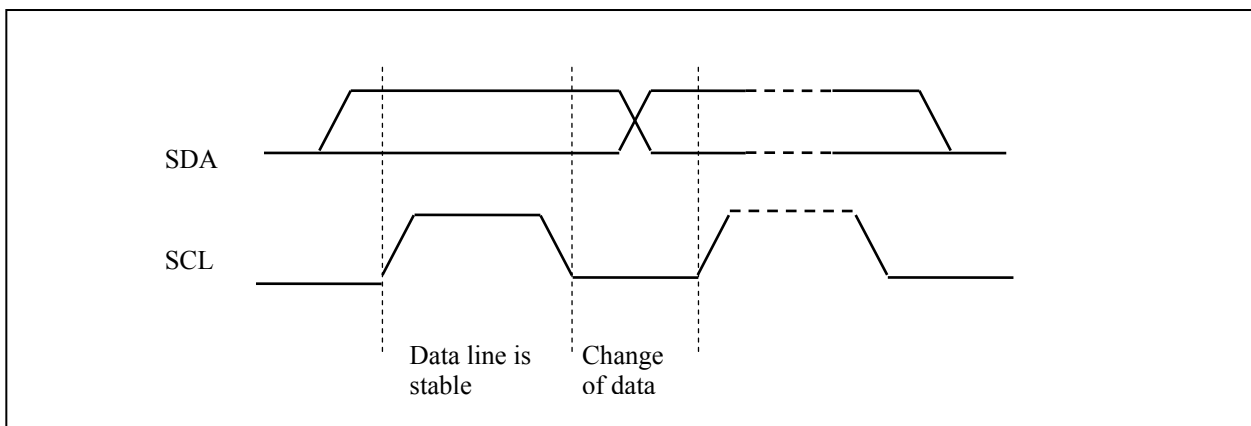
Figure 7-9 : Definition of the acknowledgement condition



Please be noted that the transmission of the data bit has some limitations.

1. The data bit, which is transmitted during each SCL pulse, must keep at a stable state within the "HIGH" period of the clock pulse. Please refer to the Figure 7-10 for graphical representations. Except in start or stop conditions, the data line can be switched only when the SCL is LOW.
2. Both the data line (SDA) and the clock line (SCL) should be pulled up by external resistors.

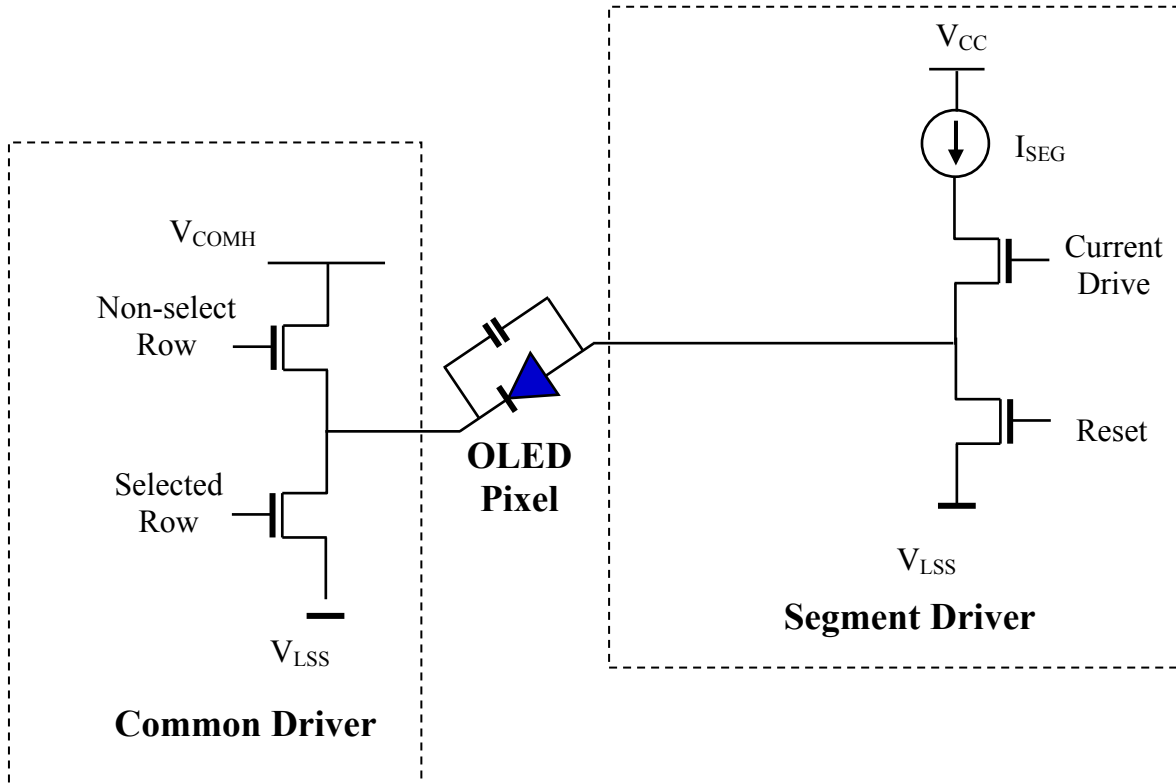
Figure 7-10 : Definition of the data transfer condition



7.2 Segment Drivers/Common Drivers

Segment drivers have 128 current sources to drive OLED panel. The driving current can be adjusted from 0 to 300uA with 8 bits, 256 steps by contrast setting command (81h). Common drivers generate voltage scanning pulses. The block diagrams and waveforms of the segment and common driver are shown as follow.

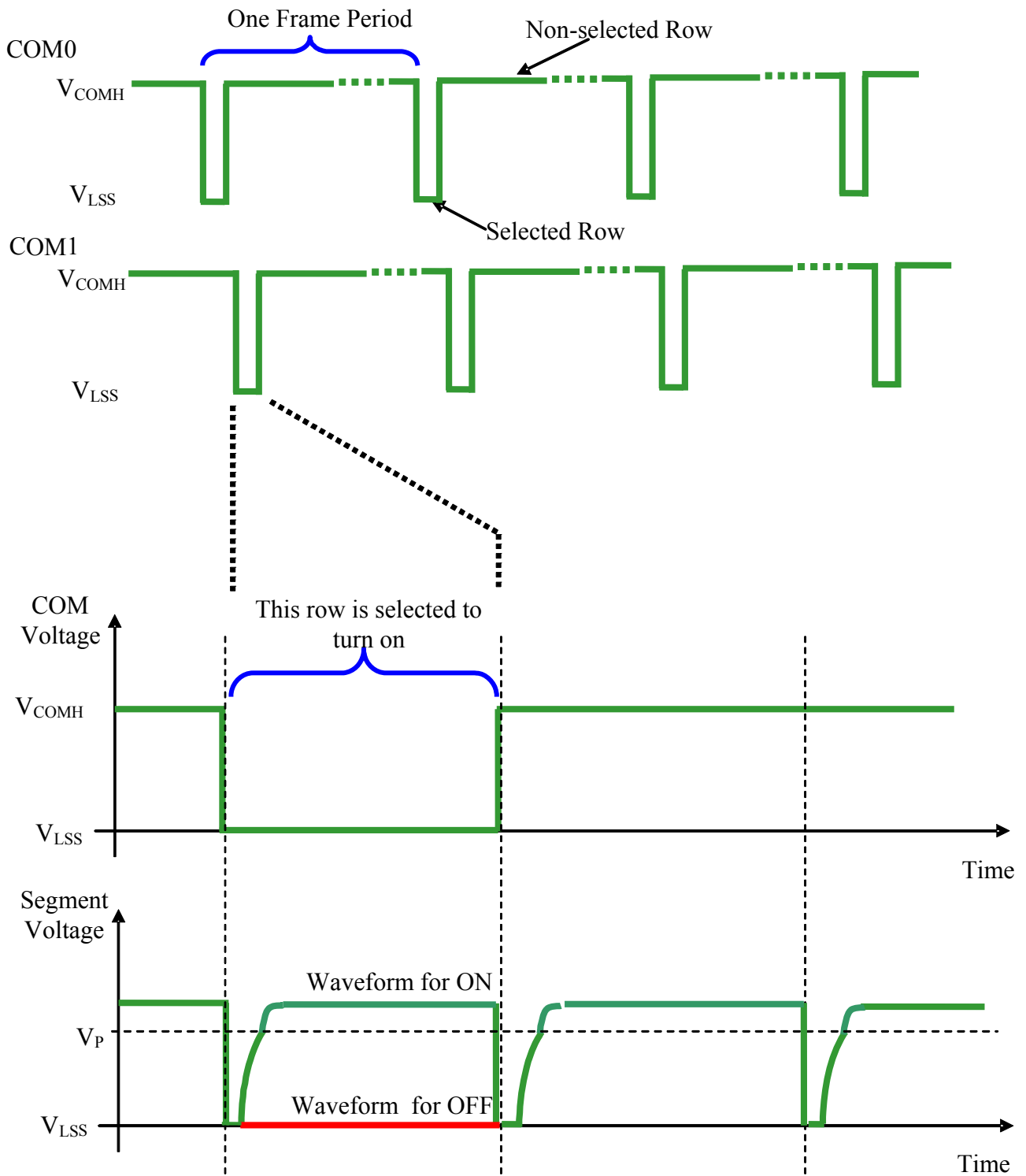
Figure 7-11: Segment and Common Driver Block Diagram



The commons are scanned sequentially, row by row. If a row is not selected, all the pixels on the row are in reverse bias by driving those commons to voltage V_{COMH} as shown in Figure 7-12.

In the scanned row, the pixels on the row will be turned ON or OFF by sending the corresponding data signal to the segment pins. If the pixel is turned OFF, the segment current is kept at 0. On the other hand, the segment drives to I_{SEG} when the pixel is turned ON.

Figure 7-12 : Segment and Common Driver Signal Waveform



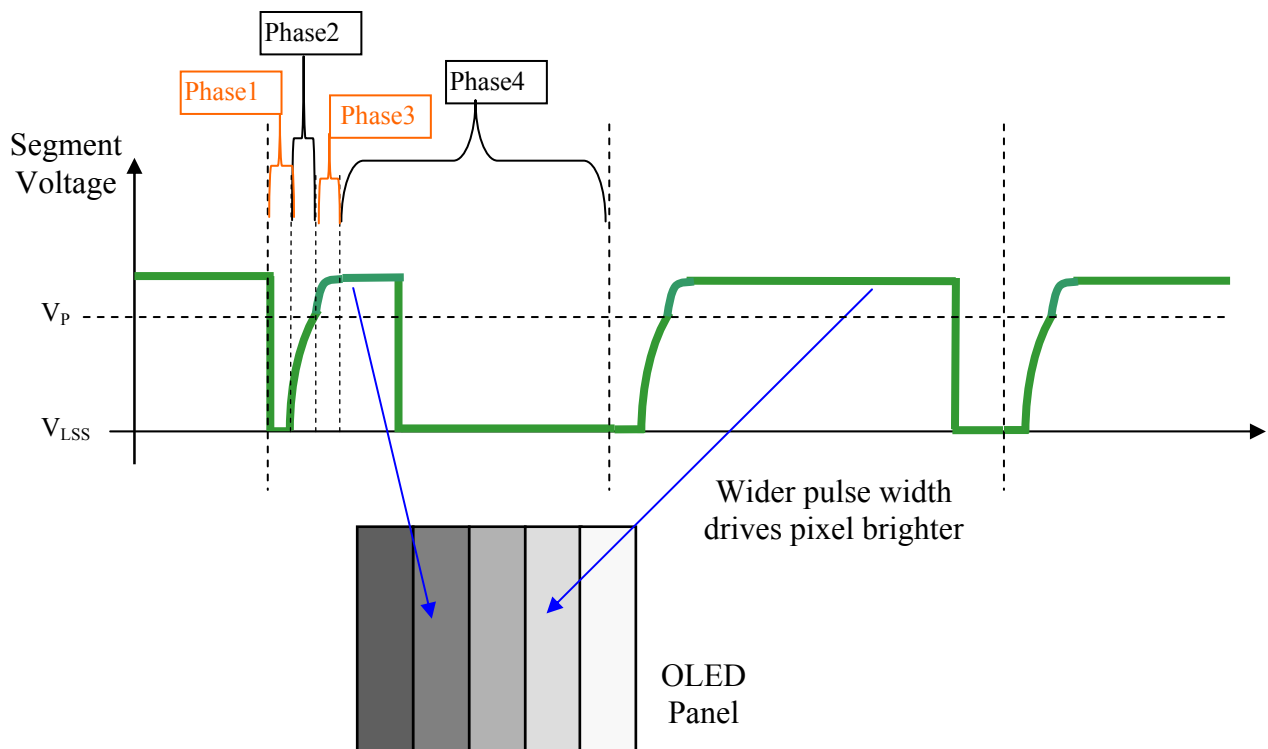
There are four phases to driving an OLED a pixel. In phase 1, the pixel is reset by the segment driver to V_{LSS} in order to discharge the previous data charge stored in the parasitic capacitance along the segment electrode. The period of phase 1 can be programmed by command B1h A[3:0]. An OLED panel with larger capacitance requires a longer period for discharging.

In phase 2, first pre-charge is performed. The pixel is driven to attain the corresponding voltage level V_p from V_{LSS} . The amplitude of V_p can be programmed by the command BCh. The period of phase 2 can be programmed by command B1h A[7:4]. If the capacitance value of the pixel of OLED panel is larger, a longer period is required to charge up the capacitor to reach the desired voltage.

In phase 3, the OLED pixel is driven to the targeted driving voltage through second pre-charge. The second pre-charge can control the speed of the charging process. The period of phase 3 can be programmed by command B6h.

Last phase (phase 4) is current drive stage. The current source in the segment driver delivers constant current to the pixel. The driver IC employs PWM (Pulse Width Modulation) method to control the gray scale of each pixel individually. The gray scale can be programmed into different Gamma settings by command B8h/B9h. The bigger gamma setting (the wider pulse widths) in the current drive stage results in brighter pixels and vice versa (details refer to Section 7.8). This is shown in the following figure.

Figure 7-13 : Gray Scale Control by PWM in Segment



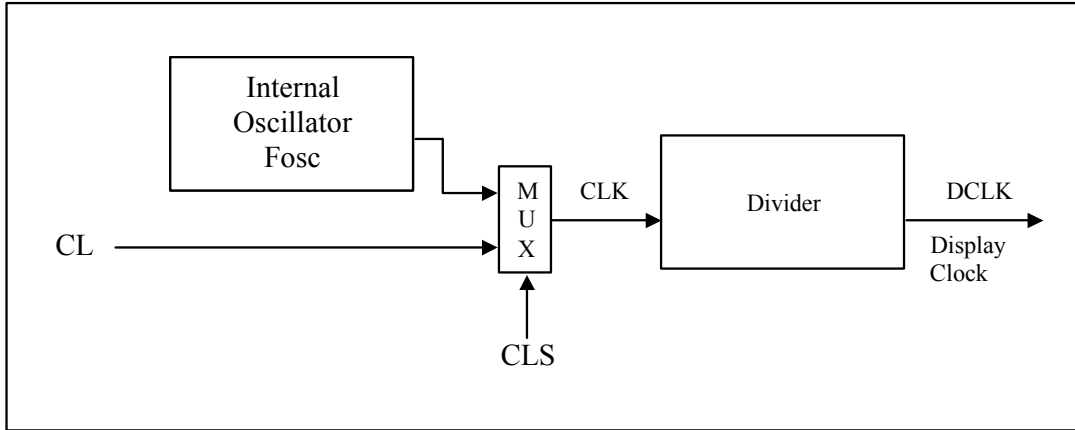
After finishing phase 4, the driver IC will go back to phase 1 to display the next row image data. This four-step cycle is run continuously to refresh image display on OLED panel.

The length of phase 4 is defined by command B8h or B9h. In the table, the gray scale is defined in incremental way, with reference to the length of previous table entry.

7.3 Oscillator Circuit and Display Time Generator

This module is an On-Chip low power RC oscillator circuitry (Figure 7-14). The operation clock (CLK) can be generated either from internal oscillator or external source CL pin. This selection is done by CLS pin. If CLS pin is HIGH, internal oscillator is chosen and CL should be pulled to LOW. If CLS pin is LOW, external clock from CL pin will be used for CLK for proper operation. The frequency of internal oscillator F_{OSC} can be programmed by command B3h.

Figure 7-14: Oscillator Circuit



The display clock (DCLK) for the Display Timing Generator is derived from CLK. The division factor “D” can be programmed from 1 to 16 by command B3h.

$$DCLK = F_{OSC} / D$$

The frame frequency of display is determined by the following formula:

$$F_{FRM} = \frac{F_{osc}}{D \times K \times \text{No. of Mux}}$$

where

- D stands for clock divide ratio. It is set by command B3h A[3:0]. The divide ratio has the range from 1 to 16.
- K is the number of display clocks per row. The value is derived by
 $K = \text{Phase 1 period} + \text{Phase 2 period} + X$;
 Default K is $4 + 7 + 30 = 41$
 Default X = constant + GS15 = $2 + 28 = 30$
- Number of multiplex ratio is set by command A8h. The reset value is 127 (i.e. 128MUX).
- F_{osc} is the oscillator frequency. It can be changed by command B3h A[7:4]. The higher the register setting results in higher frequency.

If the frame frequency is set too low, flickering may occur. On the other hand, higher frame frequency leads to higher power consumption on the whole system.

7.4 Command Decoder and Command Interface

This module determines whether the input data is interpreted as data or command. Data is interpreted based upon the input of the D/C# pin.

If D/C# pin is HIGH, the input at D₇-D₀ is written to Graphic Display Data RAM (GDDRAM). If it is LOW, the input at D₇-D₀ is interpreted as a Command which will be decoded and be written to the corresponding command register.

7.5 Reset Circuit

When RES# input is LOW, the chip is initialized with the following status:

1. Display is OFF
2. 128 x 128 Display Mode
3. Normal segment and display data column address and row address mapping (SEG0 mapped to address 00h and COM0 mapped to address 00h)
4. Shift register data clear in serial interface
5. Display start line is set at display RAM address 0
6. Column address counter is set at 0
7. Normal scan direction of the COM outputs
8. Contrast control register is set at 7Fh
9. Normal display mode (Equivalent to A4h command)

7.6 SEG/COM Driving Block

This block is used to derive the incoming power sources into the different levels of internal use voltage and current.

- V_{CC} is the most positive voltage supply.
- V_{COMH} is the Common deselected level. It is internally regulated.
- V_{LSS} is the ground path of the analog and panel current.
- I_{REF} is a reference current source for segment current drivers I_{SEG}. The relationship between reference current and segment current of a color is:

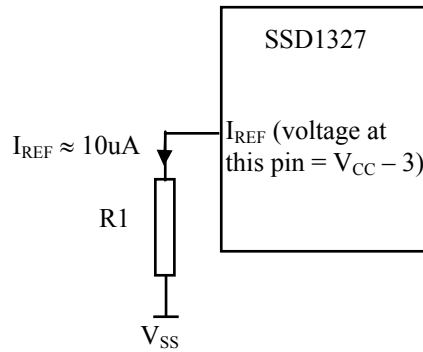
$$I_{SEG} = \text{Contrast} / 256 * I_{REF} * \text{scale factor}$$

in which

the contrast (0~255) is set by Set Contrast command (81h); and
the scale factor is 32.

It is recommended to set I_{REF} to 10 ± 2uA so as to achieve I_{SEG} ≈ 300uA at maximum contrast 255. This current value is obtained by connecting an appropriate resistor from I_{REF} pin to V_{SS} as shown in Figure 7-15.

Figure 7-15 : I_{REF} Current Setting by Resistor Value



Recommended I_{REF} = 10uA ± 2uA.

Since the voltage at I_{REF} pin is V_{CC} - 3V, the value of resistor R1 can be found as below:

For I_{REF} = 10uA, V_{CC} = 12V:

$$R1 = (\text{Voltage at } I_{REF} - V_{SS}) / I_{REF}$$

$$= (12 - 3) / 10\mu\text{A}$$

$$\approx 910\text{k}\Omega$$

7.7 Graphic Display Data RAM (GDDRAM)

The GDDRAM is a bit mapped static RAM holding the bit pattern to be displayed. The size of the RAM is 128x128x4 bits. For mechanical flexibility, re-mapping on both Segment and Common outputs can be selected by software. The GDDRAM address maps in Table 7-6 to Table 7-10 show some examples on using the command “Set Re-map” A0h to re-map the GDDRAM. In the following tables, the lower nibble and higher nibble of D0, D1, D2 ... D8189, D8190, D8191 represent the 128x128 data bytes in the GDDRAM.

Table 7-6 shows the GDDRAM map under the following condition:

- Command “Set Re-map” A0h is set to:
 - Disable Column Address Re-map (A[0]=0)
 - Disable Nibble Re-map (A[1]=0)
 - Enable Horizontal Address Increment (A[2]=0)
 - Disable COM Re-map (A[4]=0)
- Display Start Line=00h
- Data byte sequence: D0, D1, D2 ... D8191

Table 7-6 : GDDRAM address map 1

		SEG0	SEG1	SEG2	SEG3		SEG124	SEG125	SEG126	SEG127	SEG Outputs
		00		01			3E		3F		Column Address
											(HEX)
COM0	00	D0[3:0]	D0[7:4]	D1[3:0]	D1[7:4]		D62[3:0]	D62[7:4]	D63[3:0]	D63[7:4]	
COM1	01	D64[3:0]	D64[7:4]	D65[3:0]	D65[7:4]		D126[3:0]	D126[7:4]	D127[3:0]	D127[7:4]	
COM126	7E	D8064[3:0]	D8064[7:4]	D8065[3:0]	D8065[7:4]		D8126[3:0]	D8126[7:4]	D8127[3:0]	D8127[7:4]	
COM127	7F	D8128[3:0]	D8128[7:4]	D8129[3:0]	D8129[7:4]		D8190[3:0]	D8190[7:4]	D8191[3:0]	D8191[7:4]	
COM Outputs	Row Address (HEX)										

Nibble re-map A[1]=0

Table 7-7 shows the GDDRAM map under the following condition:

- Command “Set Re-map” A0h is set to:
 - Disable Column Address Re-map (A[0]=0)
 - Disable Nibble Re-map (A[1]=0)
 - Enable Vertical Address Increment (A[2]=1)
 - Disable COM Re-map (A[4]=0)
- Display Start Line=00h
- Data byte sequence: D0, D1, D2 ... D8191

Table 7-7 : GDDRAM address map 2

		SEG0	SEG1	SEG2	SEG3		SEG124	SEG125	SEG126	SEG127	SEG Outputs Column Address (HEX)
		00		01			3E		3F		
COM0	00	D0[3:0]	D0[7:4]	D128[3:0]	D128[7:4]		D7936[3:0]	D7936[7:4]	D8064[3:0]	D8064[7:4]	
COM1	01	D1[3:0]	D1[7:4]	D129[3:0]	D129[7:4]		D7937[3:0]	D7937[7:4]	D8065[3:0]	D8065[7:4]	
COM126	7E	D126[3:0]	D126[7:4]	D254[3:0]	D254[7:4]		D8062[3:0]	D8062[7:4]	D8190[3:0]	D8190[7:4]	
COM127	7F	D127[3:0]	D127[7:4]	D255[3:0]	D255[7:4]		D8063[3:0]	D8063[7:4]	D8191[3:0]	D8191[7:4]	

Row Address (HEX) (Display Startline=0)

Nibble re-map A[1]=0

Table 7-8 shows the GDDRAM map under the following condition:

- Command “Set Re-map” A0h is set to:
 - Enable Column Address Re-map (A[0]=1)
 - Enable Nibble Re-map (A[1]=1)
 - Enable Horizontal Address Increment (A[2]=0)
 - Disable COM Re-map (A[4]=0)
- Display Start Line=00h
- Data byte sequence: D0, D1, D2 ... D8191

Table 7-8 : GDDRAM address map 3

		SEG0	SEG1	SEG2	SEG3		SEG124	SEG125	SEG126	SEG127	SEG Outputs Column Address (HEX)
		3F		3E			01		00		
COM0	00	D63[7:4]	D63[3:0]	D62[7:4]	D62[3:0]		D1[7:4]	D1[3:0]	D0[7:4]	D0[3:0]	
COM1	01	D127[7:4]	D127[3:0]	D126[7:4]	D126[3:0]		D65[7:4]	D65[3:0]	D64[7:4]	D64[3:0]	
COM126	7E	D8127[7:4]	D8127[3:0]	D8126[7:4]	D8126[3:0]		D8065[7:4]	D8065[3:0]	D8064[7:4]	D8064[3:0]	
COM127	7F	D8191[7:4]	D8191[3:0]	D8190[7:4]	D8190[3:0]		D8129[7:4]	D8129[3:0]	D8128[7:4]	D8128[3:0]	

Row Address (HEX) (Display Startline=0)

Nibble re-map A[1]=1

Table 7-9 shows the example in which the display start line register is set to 10h with the following condition:

- Command “Set Re-map” A0h is set to:
 - Disable Column Address Re-map (A[0]=0)
 - Disable Nibble Re-map (A[1]=0)
 - Enable Horizontal Address Increment (A[2]=0)
 - Enable COM Re-map (A[4]=1)
- Display Start Line=78h (corresponds to COM119)

- Data byte sequence: D0, D1, D2 ... D8191

Table 7-9 : GDDRAM address map 4

		SEG0	SEG1	SEG2	SEG3		SEG124	SEG125	SEG126	SEG127	SEG Outputs Column Address (HEX)	
		00		01			3E		3F			
COM119	00	D0[3:0]	D0[7:4]	D1[3:0]	D1[7:4]		D62[3:0]	D62[7:4]	D63[3:0]	D63[7:4]		
COM118	01	D1[3:0]	D64[7:4]	D65[3:0]	D65[7:4]		D126[3:0]	D126[7:4]	D127[3:0]	D127[7:4]		
COM121	7E	D126[3:0]	D8064[7:4]	D8065[3:0]	D8065[7:4]		D8126[3:0]	D8126[7:4]	D8127[3:0]	D8127[7:4]		
COM120	7F	D127[3:0]	D8128[7:4]	D8129[3:0]	D8129[7:4]		D8190[3:0]	D8190[7:4]	D8191[3:0]	D8191[7:4]		
COM Outputs (Display Startline=78H)	Row Address (HEX)											Nibble re-map A[1]=0

Table 7-10 shows the GDDRAM map under the following condition:

- Command “Set Re-map” A0h is set to:
 - Disable Column Address Re-map (A[0]=0)
 - Disable Nibble Re-map (A[1]=0)
 - Enable Horizontal Address Increment (A[2]=0)
 - Disable COM Re-map (A[4]=0)
- Display Start Line=00h
- Column Start Address=01h
- Column End Address=3Eh
- Row Start Address=01h
- Row End Address=7Eh
- Data byte sequence: D0, D1, D2 ... D7811

Table 7-10 : GDDRAM address map 5

		SEG0	SEG1	SEG2	SEG3		SEG124	SEG125	SEG126	SEG127	SEG Outputs Column Address (HEX)	
		00		01			3E		3F			
COM0	00											
COM1	01			D0[3:0]	D0[7:4]		D61[3:0]	D61[7:4]				
COM126	7E			D7750[3:0]	D7750[7:4]		D7811[3:0]	D7811[7:4]				
COM127	7F											
COM Outputs (Display Startline=0)	Row Address (HEX)											Nibble re-map A[1]=0

Notes:

- (1) Please refer to Table 8-1 for the details of setting command “Set Re-map” A0h.
- (2) The “Display Start Line” is set by the command “Set Display Start Line” A1h and please refer to Table 8-1 for the setting details.
- (3) The “Column Start/End Address” is set by the command “Set Column Address” 15h and please refer to Table 8-1 for the setting details.
- (4) The “Row Start/End Address” is set by the command “Set Row Address” 75h and please refer to Table 8-1 for the setting details.

7.8 Gray Scale Decoder

The gray scale effect is generated by controlling the pulse width (PW) of current drive phase, except GS0 there is no pre-charge (phase 2, 3) and current drive (phase 4). The driving period is controlled by the gray scale settings (setting 0 ~ setting 127). The larger the setting, the brighter the pixel will be. The Gray Scale Table stores the corresponding gray scale setting of the 16 gray scale levels (GS0~GS15) through the software commands B8h or B9h.

As shown in Figure 7-16, GDDRAM data has 4 bits, represent the 16 gray scale levels from GS0 to GS15. Note that the frame frequency is affected by GS15 setting.

Figure 7-16 : Relation between GDDRAM content and Gray Scale table entry (under command B9h Enable Linear Gray Scale Table)

GDDRAM data (4 bits)	Gray Scale Table	Default Gamma Setting (Command B9h)
0000	GS0	Setting 0
0001	GS1 ⁽¹⁾	Setting 0
0010	GS2	Setting 2
0011	GS3	Setting 4
:	:	:
:	:	:
1101	GS13	Setting 24
1110	GS14	Setting 26
1111	GS15	Setting 28

Note:

⁽¹⁾ Both GS0 and GS1 have no 2nd pre-charge (phase 3) and current drive (phase 4), however GS1 has 1st pre-charge (phase 2).

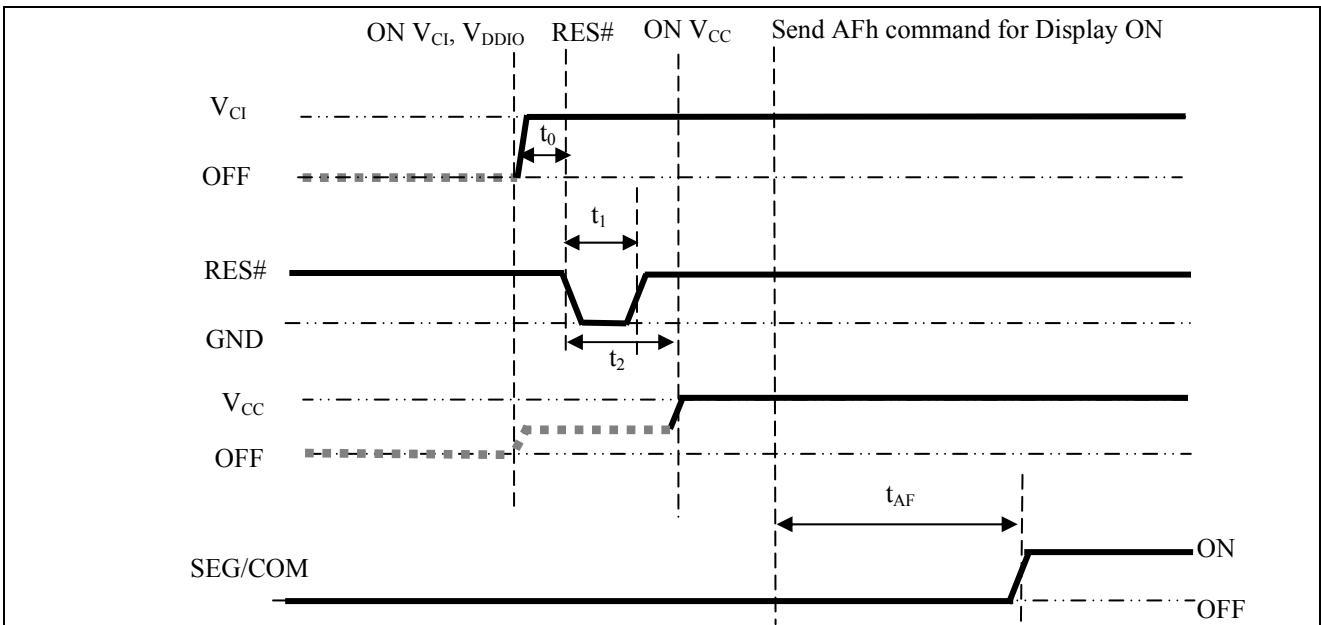
7.9 Power ON and OFF sequence

The following figures illustrate the recommended power ON and power OFF sequence of SSD1327 (assume internal V_{DD} is used).

Power ON sequence:

1. Power ON V_{CI} .
2. After V_{CI} becomes stable, set wait time at least 1ms (t_0) for internal V_{DD} become stable. Then set RES# pin LOW (logic low) for at least 100us (t_1)⁽⁴⁾ and then HIGH (logic high).
3. After set RES# pin LOW (logic low), wait for at least 100us (t_2). Then Power ON V_{CC} .⁽¹⁾
4. After V_{CC} become stable, send command AFh for display ON. SEG/COM will be ON after 200ms (t_{AF}).
5. After V_{CI} become stable, wait for at least 300ms to send command.

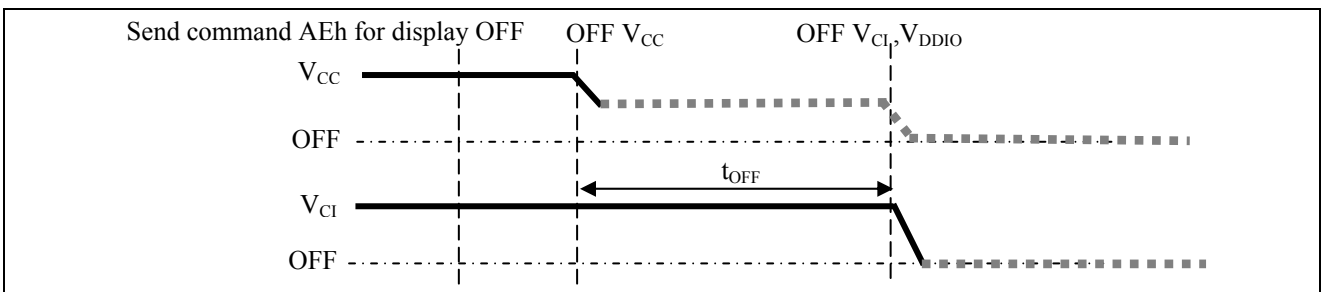
Figure 7-17 : The Power ON sequence.



Power OFF sequence:

1. Send command AEh for display OFF.
2. Power OFF V_{CC} .^{(1), (2), (3)}
3. Wait for t_{OFF} . Power OFF V_{CI} . (where Minimum $t_{OFF}=0ms$ ⁽⁵⁾, Typical $t_{OFF}=100ms$)

Figure 7-18 : The Power OFF sequence



Note:

- (1) Since an ESD protection circuit is connected between V_{CI} and V_{CC} , V_{CC} becomes lower than V_{CI} whenever V_{CI} is ON and V_{CC} is OFF as shown in the dotted line of V_{CC} in Figure 7-17 and Figure 7-18.
- (2) V_{CC} should be kept float (disable) when it is OFF.
- (3) Power pins (V_{CI} , V_{CC}) can never be pulled to ground under any circumstance.
- (4) The register values are reset after t_1 .
- (5) V_{CI} should not be Power OFF before V_{CC} Power OFF.

7.10 V_{DD} Regulator

In SSD1327, the power supply pin for core logic operation, V_{DD}, can be supplied by external source or internally regulated through the V_{DD} regulator.

The internal V_{DD} regulator is enabled by setting bit A[0] to 1b in command ABh “Function Selection”. V_{CI} should be larger than 2.6V when using the internal V_{DD} regulator. The typical regulated V_{DD} is about 2.5V

It should be notice that, no matter V_{DD} is supplied by external source or internally regulated; V_{CI} must always be set equivalent to or higher than V_{DD}.

The following figure shows the V_{DD} regulator pin connection scheme:

Figure 7-19 V_{CI} > 2.6V, V_{DD} regulator enable pin connection scheme

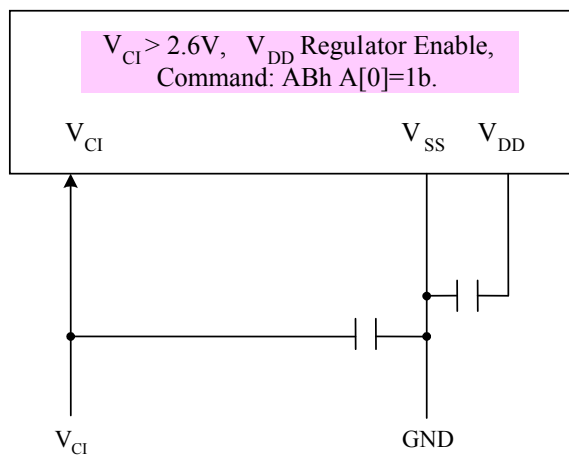
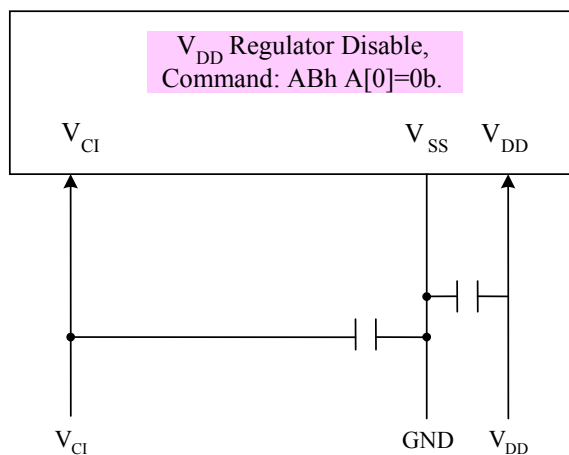


Figure 7-20 V_{DD} regulator disable pin connection scheme



No RAM access through MCU interface when there is no external / internal V_{DD}.

8 Command Table

Table 8-1: Command Table

(R/W#(WR#) = 0, E(RD#) = 1 unless specific setting is stated)

1. Fundamental Command Table											
D/C#	Hex	D7	D6	D5	D4	D3	D2	D1	D0	Command	Description
0 0 0	15 A[5:0] B[5:0]	0 * *	0 * *	0 A ₅ A ₅	1 A ₄ A ₄	0 A ₃ A ₃	1 A ₂ A ₂	0 A ₁ A ₁	1 A ₀ A ₀	Set Column Address	Setup Column start and end address A[5:0]: Start Address, range:00h~3Fh, (RESET = 00h) B[5:0]: End Address, range:00h~3Fh, (RESET = 3Fh)
0 0 0	75 A[6:0] B[6:0]	0 * *	0 A ₆ A ₆	0 A ₅ A ₅	1 A ₄ A ₄	0 A ₃ A ₃	1 A ₂ A ₂	0 A ₁ A ₁	1 A ₀ A ₀	Set Row Address	Setup Row start and end address A[6:0]: Start Address, range:00h~7Fh, (RESET = 00h) B[6:0]: End Address, range:00h~7Fh, (RESET = 7Fh)
0 0	81 A[7:0]	1 A ₇	0 A ₆	0 A ₅	0 A ₄	0 A ₃	0 A ₂	0 A ₁	1 A ₀	Set Contrast Control	Double byte command to select 1 out of 256 contrast steps. Contrast increases as the value increases. (RESET = 7Fh)
0	84 ~ 86	1	0	0	0	0	1	X ₁	X ₀	Reserved	Command for no operation
0 0	A0 A[7:0]	1 0	0 A ₆	1 0	0 A ₄	0 0	0 A ₂	0 A ₁	0 A ₀	Set Re-map	Re-map setting in Graphic Display Data RAM (GDDRAM) A[0] = 0b, Disable Column Address Re-map (RESET) A[0] = 1b, Enable Column Address Re-map A[1] = 0b, Disable Nibble Re-map (RESET) A[1] = 1b, Enable Nibble Re-map A[2] = 0b, Enable Horizontal Address Increment (RESET) A[2] = 1b, Enable Vertical Address Increment A[3] = 0b, Reserved (RESET) A[4] = 0b, Disable COM Re-map (RESET) A[4] = 1b, Enable COM Re-map A[5] = 0b, Reserved (RESET) A[6] = 0b, Disable COM Split Odd Even (RESET) A[6] = 1b, Enable COM Split Odd Even A[7] = 0b, Reserved (RESET)
0 0	A1 A[6:0]	1 *	0 A ₆	1 A ₅	0 A ₄	0 A ₃	0 A ₂	0 A ₁	1 A ₀	Set Display Start Line	A[6:0]: Vertical shift by setting the starting address of display RAM from 0 ~ 127 (RESET = 00h)

1. Fundamental Command Table											
D/C#	Hex	D7	D6	D5	D4	D3	D2	D1	D0	Command	Description
0 0	A2 A[6:0]	1 *	0 A ₆	1 A ₅	0 A ₄	0 A ₃	0 A ₂	1 A ₁	0 A ₀	Set Display Offset	A[6:0]: Set vertical offset by COM from 0 ~ 127 (RESET = 00h) e.g. Set A[6:0] to 010000b to move COM16 towards COM0 direction for 16 row
0	A4 ~ A7	1	0	1	0	0	1	X ₁	X ₀	Set Display Mode	A4h = Normal display (RESET) A5h = All ON (All pixels have gray scale of 15, GS15) A6h = All OFF (All pixels have gray scale of 0, GS0) A7h = Inverse Display (GS0 → GS15, GS1 → GS14, GS2 → GS13, ...)
0 0	A8 A[6:0]	1 *	0 A ₆	1 A ₅	0 A ₄	1 A ₃	0 A ₂	0 A ₁	0 A ₀	Set MUX Ratio	A[6:0]: Set MUX ratio from 16MUX ~ 128MUX: A[6:0] = 15 represents 16MUX A[6:0] = 16 represents 17MUX : A[6:0] = 126 represents 127MUX A[6:0] = 127 represents 128MUX (RESET) It should be noted that A[6:0]=0~14 is not allowed
0 0	AB A[0]	1 0	0 0	1 0	0 0	1 0	0 0	1 0	1 A ₀	Function Selection A	A[0]=0b, Select external V _{DD} (i.e. Disable internal V _{DD} regulator) A[0]=1b, Enable internal V _{DD} regulator (RESET)
0	AE / AF	1	0	1	0	1	1	1	X ₀	Set Display ON/OFF	AEh = Display OFF (sleep mode) (RESET) AFh = Display ON in normal mode
0 0	B1 A[7:0]	1 A ₇	0 A ₆	1 A ₅	1 A ₄	0 A ₃	0 A ₂	0 A ₁	1 A ₀	Set Phase Length	A[3:0]: Phase 1 period of 1~15 DCLK's e.g. A[3:0] = 1111b, 15 DCLK Clock (RESET = 0100b) A[7:4]: Phase 2 period of 1~15 DCLK's e.g. A[7:4] = 1111b, 15 DCLK Clocks (RESET = 0111b) Note (1) 0 DCLK is invalid in phase 1 & phase 2 (2) GS15 level pulse width must be set larger than the period of phase 1 + phase 2
0	B2	1	0	1	1	0	0	1	0	NOP	Command for no operation

1. Fundamental Command Table											
D/C#	Hex	D7	D6	D5	D4	D3	D2	D1	D0	Command	Description
0 0	B3 A[7:0]	1 A ₇	0 A ₆	1 A ₅	1 A ₄	0 A ₃	0 A ₂	1 A ₁	1 A ₀	Set Front Clock Divider /Oscillator Frequency	A[3:0]: Define divide ratio (D) of display clock (DCLK) Divide ratio=A[3:0]+1 (RESET is 0000b, i.e. divide ratio = 1) A[7:4]: Set the Oscillator Frequency, F _{osc} . Oscillator Frequency increases with the value of A[7:4] and vice versa. (Range:0000b~1111b) (RESET = 0000b)
0 0	B5 A[1:0]	1 0	0 0	1 0	1 0	0 0	1 0	0 A ₁	1 A ₀	GPIO	A[1:0] = 00b represents GPIO pin HiZ, input disable (always read as low) A[1:0] = 01b represents GPIO pin HiZ, input enable A[1:0] = 10b represents GPIO pin output Low (RESET) A[1:0] = 11b represents GPIO pin output High
0 0	B6 A[3:0]	1 *	0 *	1 *	1 *	0 A ₃	1 A ₂	1 A ₁	0 A ₀	Set Second pre-charge Period	A[3:0]: Second Pre-charge period of 1~15 DCLK's e.g. A[3:0] = 1111b, 15 DCLK Clock (RESET = 0100b) Note (¹) This command is used to adjust the second pre-charge period after enabling the second pre-charge by setting A[1] = 1b in command D5h
0 0 0 0 0	B8 A1[5:0] A2[5:0] A14[5:0] A15[5:0]	1 * * * *	0 * * * *	1 A1 ₅ A2 ₅ A14 ₅ A15 ₅	1 A1 ₄ A2 ₄ A14 ₄ A15 ₄	1 A1 ₃ A2 ₃ A14 ₃ A15 ₃	0 A1 ₂ A2 ₂ A14 ₂ A15 ₂	0 A1 ₁ A2 ₁ A14 ₁ A15 ₁	0 A1 ₀ A2 ₀ A14 ₀ A15 ₀	Set Gray Scale Table	The next 15 data bytes set the gray scale pulse width in unit of DCLK's. A1[5:0], value for GS1 level Pulse width A2[5:0], value for GS2 level Pulse width ... A14[5:0], value for GS14 level Pulse width A15[5:0], value for GS15 level Pulse width Note (¹) The pulse width value of GS1, GS2, ..., GS15 should not be equal. i.e. 0<GS1<GS2 ... <GS15 (²) GS15 level pulse width must be set larger than the period of phase 1 + phase 2
0	B9	1	0	1	1	1	0	0	1	Linear LUT	The default Linear Gray Scale table is set in unit of DCLK's as follow GS0 level pulse width = 0; GS1 level pulse width = 0; GS2 level pulse width = 2; GS3 level pulse width = 4; : : GS14 level pulse width = 26; GS15 level pulse width = 28

1. Fundamental Command Table																																
D/C#	Hex	D7	D6	D5	D4	D3	D2	D1	D0	Command	Description																					
0	BB	1	0	1	1	1	0	1	1	NOP	Command for no operation																					
0 0	BC A[3:0]	1 0	0 0	1 0	1 0	1 A ₃	1 A ₂	0 A ₁	0 A ₀	Set Pre-charge voltage	Set pre-charge voltage level. <table border="1"> <thead> <tr> <th>A[3:0]</th> <th>Hex code</th> <th>Pre-charge voltage</th> </tr> </thead> <tbody> <tr> <td>0000</td> <td>00h</td> <td>0.20 x V_{CC}</td> </tr> <tr> <td>:</td> <td>:</td> <td>:</td> </tr> <tr> <td>0101</td> <td>05h</td> <td>0.5 x V_{CC} (RESET)</td> </tr> <tr> <td>:</td> <td>:</td> <td>:</td> </tr> <tr> <td>0111</td> <td>07h</td> <td>0.613 x V_{CC}</td> </tr> <tr> <td>1xxx</td> <td>08h</td> <td>V_{COMH}</td> </tr> </tbody> </table>	A[3:0]	Hex code	Pre-charge voltage	0000	00h	0.20 x V _{CC}	:	:	:	0101	05h	0.5 x V _{CC} (RESET)	:	:	:	0111	07h	0.613 x V _{CC}	1xxx	08h	V _{COMH}
A[3:0]	Hex code	Pre-charge voltage																														
0000	00h	0.20 x V _{CC}																														
:	:	:																														
0101	05h	0.5 x V _{CC} (RESET)																														
:	:	:																														
0111	07h	0.613 x V _{CC}																														
1xxx	08h	V _{COMH}																														
0 0	BE A[2:0]	1 0	0 0	1 0	1 0	1 0	1 A ₂	1 A ₁	0 A ₀	Set V _{COMH}	Set COM deselect voltage level. <table border="1"> <thead> <tr> <th>A[2:0]</th> <th>Hex code</th> <th>V_{COMH}</th> </tr> </thead> <tbody> <tr> <td>000</td> <td>00h</td> <td>0.72 x V_{CC}</td> </tr> <tr> <td>:</td> <td>:</td> <td>:</td> </tr> <tr> <td>101</td> <td>05h</td> <td>0.82 x V_{CC} (RESET)</td> </tr> <tr> <td>:</td> <td>:</td> <td>:</td> </tr> <tr> <td>111</td> <td>07h</td> <td>0.86 x V_{CC}</td> </tr> </tbody> </table>	A[2:0]	Hex code	V _{COMH}	000	00h	0.72 x V _{CC}	:	:	:	101	05h	0.82 x V _{CC} (RESET)	:	:	:	111	07h	0.86 x V _{CC}			
A[2:0]	Hex code	V _{COMH}																														
000	00h	0.72 x V _{CC}																														
:	:	:																														
101	05h	0.82 x V _{CC} (RESET)																														
:	:	:																														
111	07h	0.86 x V _{CC}																														
0 0	D5 A[2:0]	1 0	1 1	0 1	1 0	0 0	1 0	0 A ₁	1 A ₀	Function Selection B	A[1] = 0b: Disable second precharge (RESET) A[1] = 1b: Enable second precharge A[0] = 0b: Internal VSL (RESET) A[0] = 1b: Enable external VSL Note (¹) Refer to Table 6-1 for VSL pin details																					
0 0	FD A[2]	1 0	1 0	1 0	1 1	1 0	1 A ₂	0 1	1 0	Set Command Lock	A[2]: MCU protection status. A[2] = 0b, Unlock OLED driver IC MCU interface from entering command (RESET) A[2] = 1b, Lock OLED driver IC MCU interface from entering command Note (¹) The locked OLED driver IC MCU interface prohibits all commands and memory access except the FDh command																					

2. Scrolling Command Table

D/C#	Hex	D7	D6	D5	D4	D3	D2	D1	D0	Command	Description
0	26 / 27	0	0	1	0	0	1	1	X ₀	Continuous Horizontal Scroll Setup	26h, X[0]=0, Right Horizontal Scroll 27h, X[0]=1, Left Horizontal Scroll (Horizontal scroll by 1 column)
0	A[7:0]	0	0	0	0	0	0	0	0		A[7:0] : Dummy byte (Set as 00h)
0	B[6:0]	*	B ₆	B ₅	B ₄	B ₃	B ₂	B ₁	B ₀		B[2:0] : Define start row address; range:00h~7Fh, (RESET = 00h)
0	C[2:0]	*	*	*	0	0	C ₂	C ₁	C ₀		C[2:0] : Set time interval between each scroll step in terms of frame frequency
0	D[6:0]	*	D ₆	D ₅	D ₄	D ₃	D ₂	D ₁	D ₀		
0	E[5:0]	*	*	E ₅	E ₄	E ₃	E ₂	E ₁	E ₀		
0	F[5:0]	*	*	F ₅	F ₄	F ₃	F ₂	F ₁	F ₀		
0	G[7:0]	0	0	0	0	0	0	0	0		G[7:0] : Dummy byte (Set as 00h)
0	2E	0	0	1	0	1	1	1	0	Deactivate scroll	Stop scrolling that is configured by command 26h/27h Note (1) After sending 2Eh command to deactivate the scrolling action, the ram data needs to be rewritten.
0	2F	0	0	1	0	1	1	1	1	Activate scroll	Start scrolling that is configured by the scrolling setup commands :26h/27h with the following valid sequences: Valid command sequence 1: 26h ;2Fh. Valid command sequence 2: 27h ;2Fh.

Note

(1) “*” stands for “Don’t care”.

8.1 Data Read / Write

To read data from the GDDRAM, select HIGH for both the R/W# (WR#) pin and the D/C# pin for 6800-series parallel mode and select LOW for the E (RD#) pin and HIGH for the D/C# pin for 8080-series parallel mode. No data read is provided in serial mode operation.

In normal data read mode the GDDRAM column address pointer will be increased automatically by one after each data read.

Also, a dummy read is required before the first data read.

To write data to the GDDRAM, select LOW for the R/W# (WR#) pin and HIGH for the D/C# pin for both 6800-series parallel mode and 8080-series parallel mode. The serial interface mode is always in write mode. The GDDRAM column address pointer will be increased automatically by one after each data write.

Table 8-2 : Address increment table (Automatic)

D/C#	R/W# (WR#)	Comment	Address Increment
0	0	Write Command	No
0	1	Read Status	No
1	0	Write Data	Yes
1	1	Read Data	Yes

9 COMMAND DESCRIPTIONS

9.1 Fundamental command description

9.1.1 Set Column Address (15h)

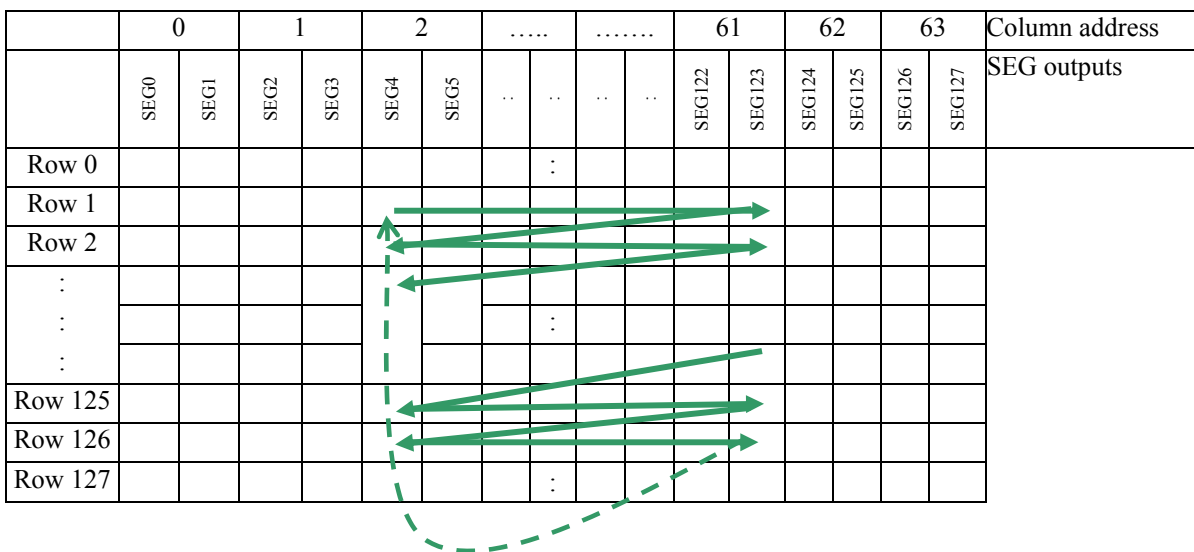
This triple byte command specifies column start address and end address of the display data RAM. This command also sets the column address pointer to column start address. This pointer is used to define the current read/write column address in graphic display data RAM. If horizontal address increment mode is enabled by command A0h, after finishing read/write one column data, it is incremented automatically to the next column address. Whenever the column address pointer finishes accessing the end column address, it is reset back to start column address and the row address is incremented to the next row.

9.1.2 Set Row Address (75h)

This triple byte command specifies row start address and end address of the display data RAM. This command also sets the row address pointer to row start address. This pointer is used to define the current read/write row address in graphic display data RAM. If vertical address increment mode is enabled by command A0h, after finishing read/write one row data, it is incremented automatically to the next row address. Whenever the row address pointer finishes accessing the end row address, it is reset back to start row address.

The diagram below shows the way of column and row address pointer movement through the example: column start address is set to 2 and column end address is set to 61, row start address is set to 1 and row end address is set to 126; horizontal address increment mode is enabled by command A0h. In this case, the graphic display data RAM column accessible range is from column 2 to column 61 and from row 1 to row 126 only. In addition, the column address pointer is set to 2 and row address pointer is set to 1. After finishing read/write one pixel of data, the column address is increased automatically by 1 to access the next RAM location for next read/write operation (*solid line in Figure 9-1*). Whenever the column address pointer finishes accessing the end column 61, it is reset back to column 2 and row address is automatically increased by 1 (*solid line in Figure 9-1*). While the end row 126 and end column 61 RAM location is accessed, the row address is reset back to 1 and the column address is reset back to 2 (*dotted line in Figure 9-1*).

Figure 9-1: Example of Column and Row Address Pointer Movement



9.1.3 Set Contrast Current (81h)

This double byte command is used to set Contrast Setting of the display. The chip has 256 contrast steps from 00h to FFh. The segment output current I_{SEG} increases linearly with the contrast step, which results in brighter display.

9.1.4 NOP (84h ~ 86h)

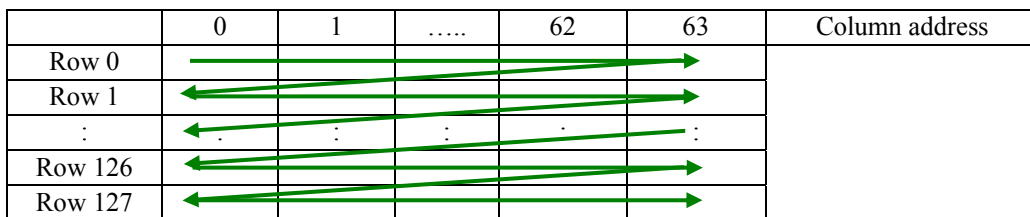
These are no operation commands.

9.1.5 Set Re-map (A0h)

This double byte command has multiple configurations and each bit setting is described as follows:

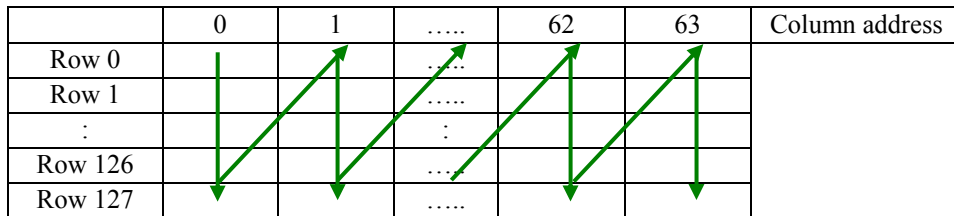
- Column Address Remapping (A[0])**
 This bit is made for increase the flexibility layout of segment signals in OLED module with segment arranged from left to right (when A[0] is set to 0) or from right to left (when A[0] is set to 1).
- Nibble Remapping (A[1])**
 When A[1] is set to 1, the two nibbles of the data bus for RAM access are re-mapped, such that (D7, D6, D5, D4, D3, D2, D1, D0) acts like (D3, D2, D1, D0, D7, D6, D5, D4).
 If this feature works together with Column Address Re-map, it would produce an effect of flipping the outputs from SEG0~127 to SEG127~SEG0 as show in Table 7-8.
- Address increment mode (A[2])**
 When A[2] is set to 0, the driver is set as horizontal address increment mode. After the display RAM is read / written, the column address pointer is increased automatically by 1. If the column address pointer reaches column end address, the column address pointer is reset to column start address and row address pointer is increased by 1. The sequence of movement of the row and column address point for horizontal address increment mode is shown in Figure 9-2.

Figure 9-2: Address Pointer Movement of Horizontal Address Increment Mode



When A[2] is set to 1, the driver is set to vertical address increment mode. After the display RAM is read / written, the row address pointer is increased automatically by 1. If the row address pointer reaches the row end address, the row address pointer is reset to row start address and column address pointer is increased by 1. The sequence of movement of the row and column address point for vertical address increment mode is shown in Figure 9-3.

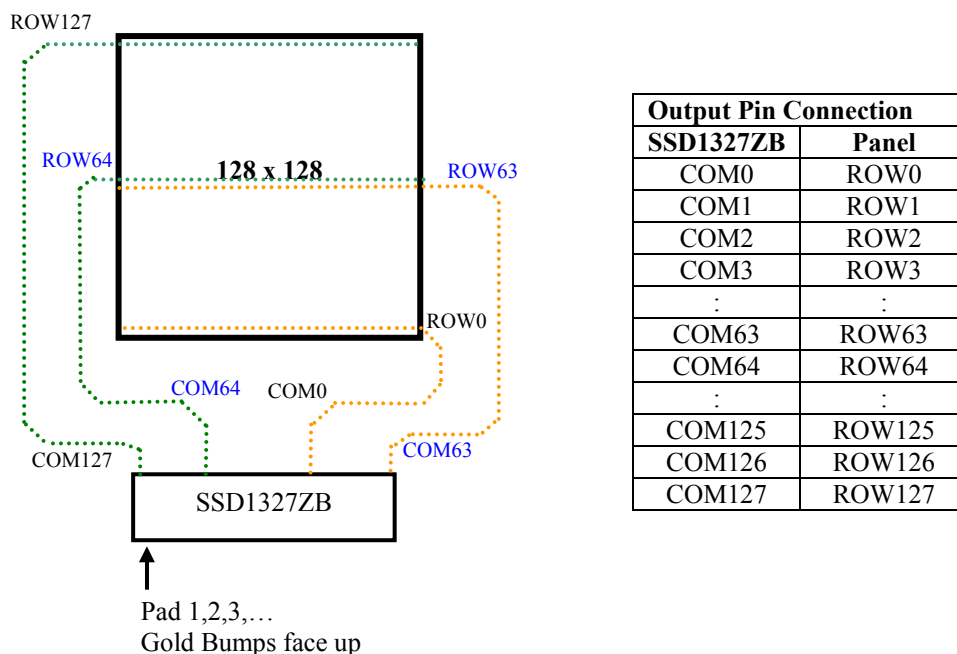
Figure 9-3: Address Pointer Movement of Vertical Address Increment Mode



- **COM Remapping (A[4])**
This bit defines the scanning direction of the common for flexible layout of common signals in OLED module either from up to down (when A[4] is set to 0) or from bottom to up (when A[4] is set to 1). Table 7-9 shows an example of the using the COM Remapping to perform vertical scrolling.
- **Splitting of Odd / Even COM Signals (A[6])**
This bit is made to match the COM layout connection on the panel.

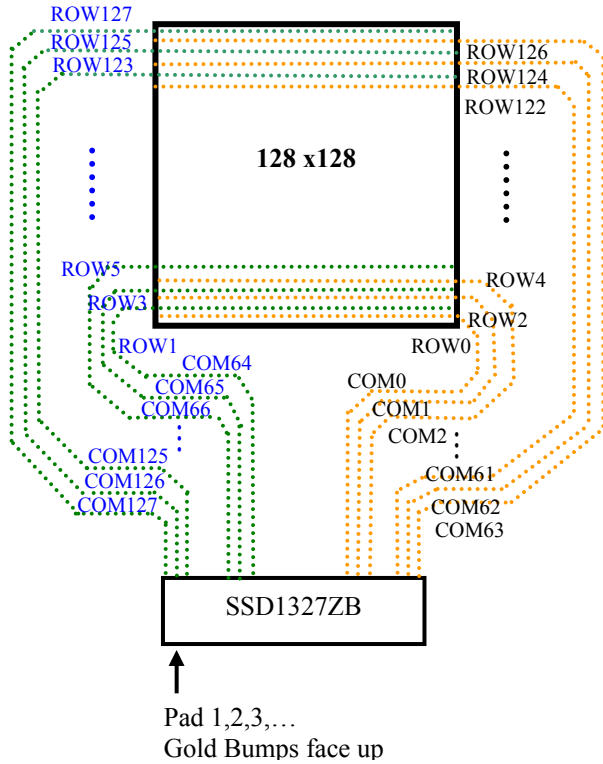
When A[6] is set to 0, no splitting odd / even of the COM signal is performed, output pin assignment sequence is shown as below (for 128MUX ratio):

Figure 9-4: Output pin assignment when command A0h bit A[6]=0.



When A[6] is set to 1, splitting odd / even of the COM signal is performed, output pin assignment sequence is shown as below (for 128MUX ratio):

Figure 9-5 : Output pin assignment when command A0h bit A[6]=1.







Output Pin Connection	
SSD1327ZB	Panel
COM0	ROW0 (Even)
COM1	ROW2
COM2	ROW4
:	:
COM61	ROW122
COM62	ROW124
COM63	ROW126
COM64	ROW1 (Odd)
COM65	ROW3
COM66	ROW5
:	:
COM125	ROW123
COM126	ROW125
COM127	ROW127

9.1.6 Set Display Start Line (A1h)

This double byte command is to set Display Start Line register for determining the starting address of display RAM to be displayed by selecting a value from 0 to 127. Figure 9-6 shows an example using this command of this command when MUX ratio= 128 and MUX ratio= 90 and Display Start Line = 40. In there, “ROW” means the graphic display data RAM row.

Figure 9-6: Example of Set Display Start Line with no Remapping





	MUX ratio (A8h) = 128	MUX ratio (A8h) = 128	MUX ratio (A8h) = 90	MUX ratio (A8h) = 90
COM Pin	Display Start Line (A1h) = 0	Display Start Line (A1h) = 40	Display Start Line (A1h) = 0	Display Start Line (A1h) = 40
COM0	ROW0	ROW40	ROW0	ROW40
COM1	ROW1	ROW41	ROW1	ROW41
COM2	ROW2	ROW42	ROW2	ROW42
COM3	ROW3	ROW43	ROW3	ROW43
:	:	:	:	:
:	:	:	:	:
COM48	ROW48	ROW88	ROW48	ROW88
COM49	ROW49	ROW89	ROW49	ROW89
COM50	ROW50	ROW90	ROW50	ROW90
COM51	ROW51	ROW91	ROW51	ROW91
:	:	:	:	:
:	:	:	:	:
COM86	ROW86	ROW126	ROW86	ROW126
COM87	ROW87	ROW127	ROW87	ROW127
COM88	ROW88	ROW0	ROW88	ROW0
COM89	ROW89	ROW1	ROW89	ROW1
COM90	ROW90	ROW2	-	-
COM91	ROW91	ROW3	-	-
:	:	:	:	:
:	:	:	:	:
COM124	ROW124	ROW36	-	-
COM125	ROW125	ROW37	-	-
COM126	ROW126	ROW38	-	-
COM127	ROW127	ROW39	-	-
Display Example				

9.1.7 Set Display Offset (A2h)

This double byte command specifies the mapping of display start line (it is assumed that COM0 is the display start line, display start line register equals to 0) to one of COM0~COM127.

shows an example using this command when MUX ratio= 128 and MUX ratio= 90 and Display Offset = 40. In there, “Row” means the graphic display data RAM row.

Figure 9-7: Example of Set Display Offset with no Remapping

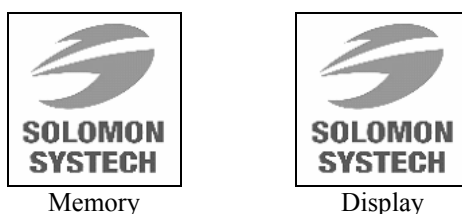
	MUX ratio (A8h) = 128	MUX ratio (A8h) = 128	MUX ratio (A8h) = 90	MUX ratio (A8h) = 90
COM Pin	Display Offset (A2h)=0	Display Offset (A2h)=40	Display Offset (A2h)=0	Display Offset (A2h)=40
COM0	ROW0	ROW40	ROW0	ROW40
COM1	ROW1	ROW41	ROW1	ROW41
COM2	ROW2	ROW42	ROW2	ROW42
COM3	ROW3	ROW43	ROW3	ROW43
:	:	:	:	:
:	:	:	:	:
COM48	ROW48	ROW88	ROW48	ROW88
COM49	ROW49	ROW89	ROW49	ROW89
COM50	ROW50	ROW90	ROW50	-
COM51	ROW51	ROW91	ROW51	-
:	:	:	:	:
:	:	:	:	:
COM86	ROW86	ROW126	ROW86	-
COM87	ROW87	ROW127	ROW87	-
COM88	ROW88	ROW0	ROW88	ROW0
COM89	ROW89	ROW1	ROW89	ROW1
COM90	ROW90	ROW2	-	ROW2
COM91	ROW91	ROW3	-	ROW3
:	:	:	:	:
:	:	:	:	:
COM124	ROW124	ROW36	-	ROW36
COM125	ROW125	ROW37	-	ROW37
COM126	ROW126	ROW38	-	ROW38
COM127	ROW127	ROW39	-	ROW39
Display Example				

9.1.8 Set Display Mode (A4h ~ A7h)

These are single byte commands (A4h ~ A7h) and are used to set display status to Normal Display, Entire Display ON, Entire Display OFF or Inverse Display, respectively.

- Normal Display (A4h)
Reset the “Entire Display ON, Entire Display OFF or Inverse Display” effects and turn the data to ON at the corresponding gray level. Figure 9-8 shows an example of Normal Display.

Figure 9-8: Example of Normal Display



- Set Entire Display ON (A5h)
Force the entire display to be at gray scale level GS15, regardless of the contents of the display data RAM, as shown on Figure 9-9.

Figure 9-9: Example of Entire Display ON



- Set Entire Display OFF (A6h)
Force the entire display to be at gray scale level GS0, regardless of the contents of the display data RAM, as shown on Figure 9-10.

Figure 9-10 : Example of Entire Display OFF



- Inverse Display (A7h)
The gray scale level of display data are swapped such that “GS0” <-> “GS15”, “GS1” <-> “GS14”, etc. Figure 9-11 shows an example of inverse display.

Figure 9-11: Example of Inverse Display



9.1.9 Set Multiplex Ratio (A8h)

This double byte command sets multiplex ratio (MUX ratio) from 16MUX to 128MUX. In RESET, multiplex ratio is 128MUX. Please refer to Figure 9-6 and Figure 9-7 for the example of setting different MUX ratio.

9.1.10 Function selection A (ABh)

This double byte command is used to enable or disable the V_{DD} regulator. Internal V_{DD} regulator is enabled when the bit A[0] is set to 1b, while internal V_{DD} regulator is disabled when A[0] is set to 0b.

9.1.11 Set Display ON/OFF (AEh / AFh)

These single byte commands are used to turn the OLED panel display ON or OFF. When the display is OFF (command AEh), the segment pins are in V_{SS} state and common pins are in high impedance state.

Figure 9-12: Display ON Sequence (when initial start)

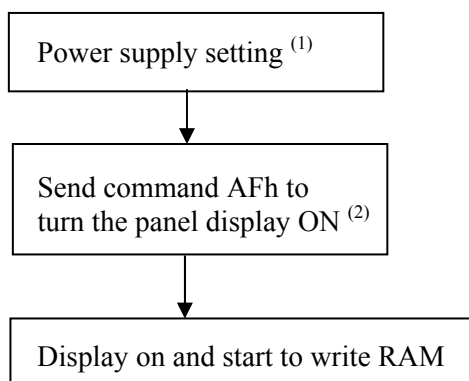
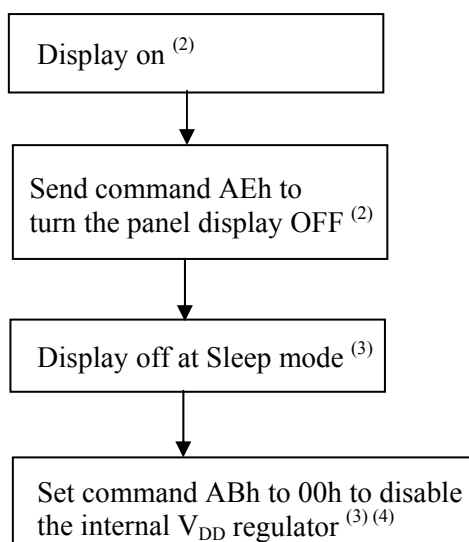


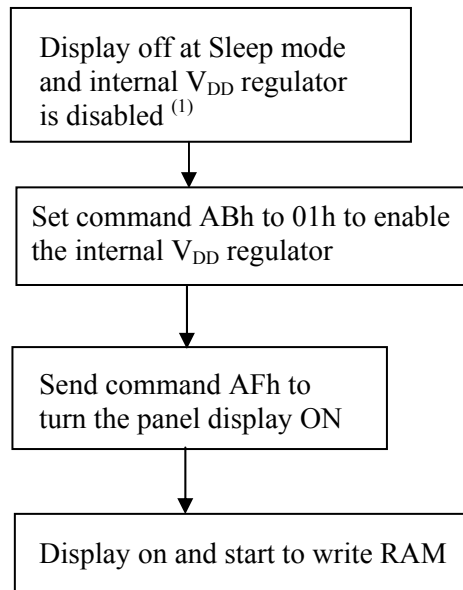
Figure 9-13: Display OFF Sequence



Note:

- ⁽¹⁾ Please follow the power ON sequence as suggested on Figure 7-17
- ⁽²⁾ Internal V_{DD} regulator is ON as default
- ⁽³⁾ The RAM content is kept during display off at both sleep mode and the case that internal V_{DD} regulator is disabled.
- ⁽⁴⁾ It is recommended to disable internal V_{DD} regulator during Sleep mode for power save. Refer to Table 11-1.

Figure 9-14: Display ON Sequence (During Sleep mode and internal V_{DD} regulator is disabled)



Note:

⁽¹⁾ The RAM content is kept during display off at sleep mode and internal V_{DD} regulator is disabled.

9.1.12 Set Phase Length (B1h)

This double byte command sets the length of phase 1 and 2 of segment waveform of the driver.

- Phase 1 (A[3:0]): Set the period from 1 to 15 in the unit of DCLKs. A larger capacitance of the OLED pixel may require longer period to discharge the previous data charge completely.
- Phase 2 (A[7:4]): Set the period from 1 to 15 in the unit of DCLKs. A longer period is needed to charge up a larger capacitance of the OLED pixel to the target voltage V_p.

9.1.13 NOP (B2h)

These are no operation commands.

9.1.14 Set Front Clock Divider / Oscillator Frequency (B3h)

This double byte command consists of two functions:

- Front Clock Divide Ratio (A[3:0])
Set the divide ratio to generate DCLK (Display Clock) from CLK. The divide ratio is from 1 to 16, with reset value = 1. Please refer to Section 7.3 for the detail relationship of DCLK and CLK.
- Oscillator Frequency (A[7:4])
Program the oscillator frequency Fosc which is the source of CLK if CLS pin is pulled HIGH. The 4-bit value results in 16 different frequency settings being available.

9.1.15 Set GPIO (B5h)

This double byte command is used to set the states of GPIO0 and GPIO1 pins. Refer to Table 8-1 for details.

9.1.16 Set Second Pre-charge period (B6h)

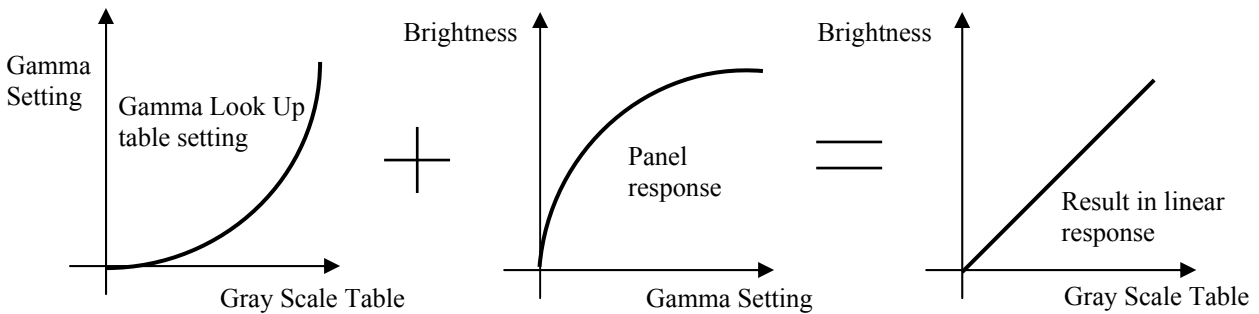
This double byte command is used to set the phase 3 second pre-charge period. The period of phase 3 can be programmed by command B6h and it is ranged from 0 to 15 DCLK's (as long as the second pre-charge is enabled by setting A[1] of command D5h to 1). Please refer to Table 8-1 for the detail information.

9.1.17 Set Gray Scale Table (B8h)

This command is used to set each individual gray scale level for the display. Except gray scale levels GS0 that has no pre-charge and current drive, each gray scale level is programmed in the length of current drive stage pulse width with unit of DCLK. The longer the length of the pulse width, the brighter the OLED pixel when it's turned ON. Following the command B8h, the user has to set the gray scale setting for GS1, GS2, ..., GS14, GS15 one by one in sequence. Refer to Section 7.8 for details.

The setting of gray scale table entry can perform gamma correction on OLED panel display. Since the perception of the brightness scale shall match the image data value in display data RAM, appropriate gray scale table setting like the example shown below (Figure 9-15) can compensate this effect.

Figure 9-15 : Example of Gamma correction by Gamma Look Up table setting



9.1.18 Select Default Linear Gray Scale Table (B9h)

This single byte command reloads the preset linear Gray Scale table as GS0 = Gamma Setting 0, GS1 = Gamma Setting 0, GS2 = Gamma Setting 2, ..., GS14 = Gamma Setting 26, GS15 = Gamma Setting 28. Refer to Section 7.8 for details.

9.1.19 NOP (BBh)

These are no operation commands.

9.1.20 Set Pre-charge voltage (BCh)

This double byte command sets the first pre-charge voltage (phase 2) level of segment pins. The level of pre-charge voltage is programmed with reference to V_{CC} . Refer to Table 8-1 for details.

9.1.21 Set V_{COMH} Voltage (BEh)

This double byte command sets the high voltage level of common pins, V_{COMH} . The level of V_{COMH} is programmed with reference to V_{CC} . Refer to Table 8-1 for details.

9.1.22 Function selection B (D5h)

This double byte command consists of two functions:

- Set second precharge (A[1])
Second precharge is enabled when A[1] is set to 1, whereas it is disabled as default at A[1] = 0. .
- Set VSL (A[0])
External VSL is enabled when A[0] is set to 1, whereas it is set to internal VSL as default at A[0] = 0.
Refer to Table 8-1 for details.

9.1.23 Set Command Lock (FDh)

This double byte command is used to lock the OLED driver IC from accepting any command except itself. After entering FDh 16h (A[2]=1b), the OLED driver IC will not respond to any newly-entered command (except FDh 12h A[2]=0b) and there will be no memory access. This is call “Lock” state. That means the OLED driver IC ignore all the commands (except FDh 12h A[2]=0b) during the “Lock” state.

Entering FDh 12h (A[2]=0b) can unlock the OLED driver IC. That means the driver IC resume from the “Lock” state. And the driver IC will then respond to the command and memory access.

9.2 Graphic Acceleration command description

9.2.1 Horizontal Scroll Setup (26h/27h)

This command consists of consecutive bytes to set up the horizontal scroll parameters and determines the scrolling start page, end page and scrolling speed.

Before issuing this command the horizontal scroll must be deactivated (2Eh). Otherwise, RAM content may be corrupted.

The SSD1327 horizontal scroll is designed for 128 columns scrolling. The following two figures (Figure 9-16, Figure 9-17, and Figure 9-18) show the examples of using the horizontal scroll:

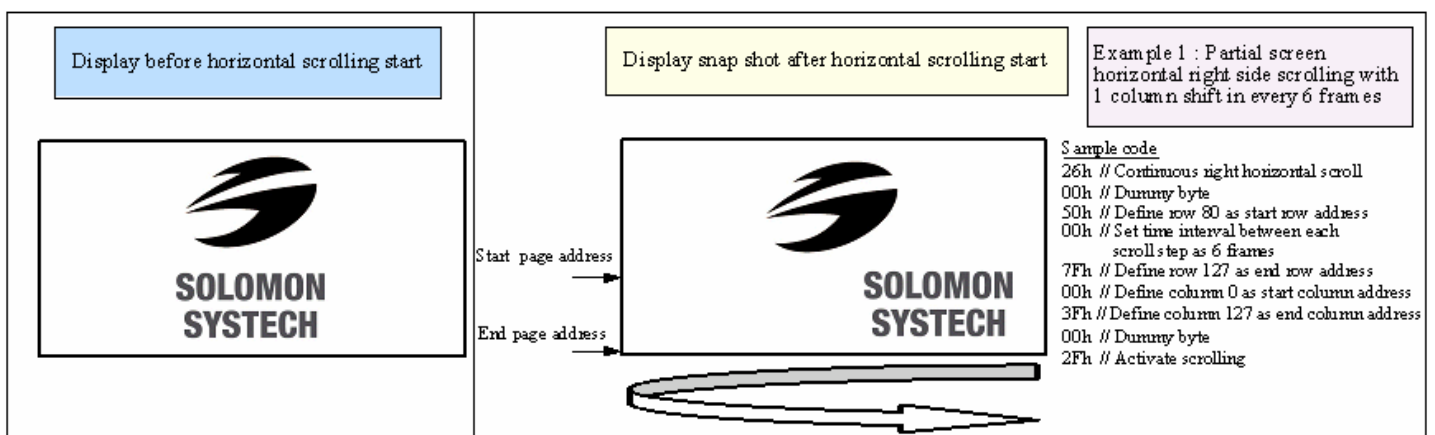
Figure 9-16 : Horizontal scroll example: Scroll RIGHT by 1 column

Original Setting	SEG0	SEG1	SEG2	SEG3	SEG4	SEG5	SEG122	SEG123	SEG124	SEG125	SEG126	SEG127
After one scroll step	SEG127	SEG0	SEG1	SEG2	SEG3	SEG4	SEG121	SEG122	SEG123	SEG124	SEG125	SEG126

Figure 9-17 : Horizontal scroll example: Scroll LEFT by 1 column

Original Setting	SEG0	SEG1	SEG2	SEG3	SEG4	SEG5	SEG122	SEG123	SEG124	SEG125	SEG126	SEG127
After one scroll step	SEG1	SEG2	SEG3	SEG4	SEG5	SEG6	SEG123	SEG124	SEG125	SEG126	SEG127	SEG0

Figure 9-18 : Horizontal scrolling setup example



9.2.2 Deactivate Scroll (2Eh)

This command stops the motion of scrolling. After sending 2Eh command to deactivate the scrolling action, the ram data needs to be rewritten.

9.2.3 Activate Scroll (2Fh)

This command starts the motion of scrolling and should only be issued after the scroll setup parameters have been defined by the scrolling setup commands: 26h / 27h. The setting in the latest scrolling setup command overwrites the setting in the previous scrolling setup command.

The following actions are prohibited after the scrolling is activated,

1. RAM access (Data write or read).
2. Changing the horizontal scroll setup parameters.

10 MAXIMUM RATINGS

Table 10-1: Maximum Ratings

(Voltage Reference to V_{SS})

Symbol	Parameter	Value	Unit
V_{DD}	Supply Voltage	-0.5 to 2.75	V
V_{CC}		-0.5 to 19.0	V
V_{CI}		-0.3 to 4.0	V
V_{SEG}	SEG output voltage	0 to V_{CC}	V
V_{COM}	COM output voltage	0 to $0.9 \cdot V_{CC}$	V
V_{in}	Input voltage	$V_{SS}-0.3$ to $V_{CI}+0.3$	V
T_A	Operating Temperature	-40 to +85	°C
T_{stg}	Storage Temperature Range	-65 to +150	°C

*Maximum Ratings are those values beyond which damage to the device may occur. Functional operation should be restricted to the limits in the Electrical Characteristics tables or Pin Description.

*This device may be light sensitive. Caution should be taken to avoid exposure of this device to any light source during normal operation. This device is not radiation protected.

11 DC CHARACTERISTICS

Conditions (Unless otherwise specified):

Voltage referenced to V_{SS}

$V_{DD} = 1.65$ to $2.6V$

$V_{CI} = 1.65$ to $3.5V$ (V_{CI} must be larger than or equal to V_{DD})

$T_A = 25^\circ C$

Table 11-1 : DC Characteristics

Symbol	Parameter	Test Condition	Min.	Typ.	Max.	Unit	
V_{CC}	Operating Voltage	-	8	-	18	V	
V_{DD}	Logic Supply Voltage	-	1.65	-	2.6	V	
V_{CI}	Low voltage power supply, power supply for I/O pins	-	1.65	-	3.5	V	
V_{OH}	High Logic Output Level	$I_{out} = 100\mu A$	$0.9 * V_{CI}$	-	V_{CI}	V	
V_{OL}	Low Logic Output Level	$I_{out} = 100\mu A$	0	-	$0.1 * V_{CI}$	V	
$V_{IH}^{(1)}$	High Logic Input Level	-	$0.8 * V_{CI}$	-	V_{CI}	V	
$V_{IL}^{(1)}$	Low Logic Input Level	-	0	-	$0.2 * V_{CI}$	V	
I_{SLP_VDD}	V_{DD} Sleep mode Current	$V_{CI} = 2.8V, V_{CC} = OFF$ $V_{DD}(external) = 2.5V$, Display OFF, No panel attached	-	-	10	μA	
I_{SLP_VCI}	V_{CI} Sleep mode Current	$V_{CI} = 2.8V,$ $V_{CC} = OFF$ Display OFF, No panel attached	External $V_{DD} = 2.5V$	-	-	10	μA
			Enable Internal V_{DD} during Sleep mode	-	40	60	μA
			Disable Internal V_{DD} during Sleep mode (Deep Sleep mode)	-	-	10	μA
I_{SLP_VCC}	V_{CC} Sleep mode Current	$V_{CI} = 2.8V, V_{CC} = 8\sim 18V$ $V_{DD}(external) = 2.5V$, Display OFF, No panel attached	-	-	10	μA	
I_{DD}	V_{DD} Supply Current	$V_{CI} = 3.5V, V_{CC} = 18V,$ External $V_{DD} = 2.5V$, Display ON, No panel attached, contrast = FF	-	22	-	μA	
I_{CI}	V_{CI} Supply Current	$V_{CI} = 3.5V, V_{CC} = 18V,$ Display ON, No panel attached, contrast = FF	External $V_{DD} = 2.5V$	-	35	50	μA
			Internal $V_{DD} = 2.5V$	-	95	120	μA
I_{CC}	V_{CC} Supply Current	$V_{CI} = 3.5V, V_{CC} = 18V,$ Display ON, No panel attached, contrast = FF	External $V_{DD} = 2.5V$	-	600	750	μA
			Internal $V_{DD} = 2.5V$	-	600	750	μA
I_{SEG}	Segment Output Current Setting $V_{CC} = 18V, I_{REF} = 10\mu A$	Contrast = FF	-	300	370	μA	
		Contrast = AF	-	206	-	μA	
		Contrast = 7F	-	150	-	μA	
		Contrast = 3F	-	75	-	μA	
		Contrast = 1F	-	37.5	-	μA	
Dev	Segment output current uniformity	$Dev = (I_{SEG} - I_{MID}) / I_{MID}$ $I_{MID} = (I_{MAX} + I_{MIN}) / 2$ I_{SEG} = Segment current at contrast FF	-3	-	3	%	
Adj. Dev	Adjacent pin output current uniformity (contrast = FFh)	$Adj\ Dev = (I[n] - I[n+1]) / (I[n] + I[n+1])$	-2	-	2	%	

12 AC CHARACTERISTICS

Conditions:

Voltage referenced to V_{SS}

$V_{DD} = 2.4$ to $2.6V$

$T_A = 25^\circ C$

Table 12-1 : AC Characteristics

Symbol	Parameter	Test Condition	Min.	Typ.	Max.	Unit
$F_{OSC}^{(1)}$	Oscillation Frequency of Display Timing Generator	$V_{CI} = 2.8V$, internal V_{DD}	535	595	655	kHz
F_{FRM}	Frame Frequency for 128 MUX Mode	128x128 Graphic Display Mode, Display ON, Internal Oscillator Enabled	-	$F_{OSC} * 1 / (D * K * 128)^{(2)}$	-	Hz
t_{RES}	Reset low pulse width (RES#)	-	2000	-	-	ns

Note

⁽¹⁾ F_{OSC} stands for the frequency value of the internal oscillator and the value is measured when command B3h A[7:4] is in default value.

⁽²⁾ D: divide ratio

K: Phase 1 period + Phase 2 period + X

X: DCLKs in current drive period.

Default K is $4 + 7 + 30 = 41$

Table 12-2 : 6800-Series MCU Parallel Interface Timing Characteristics

$V_{CI} - V_{SS} = 1.65V$ to $2.1V$ ($T_A = 25^\circ C$)

Symbol	Parameter	Min	Typ	Max	Unit
t_{cyc}	Clock Cycle Time	300	-	-	ns
t_{AS}	Address Setup Time	10	-	-	ns
t_{AH}	Address Hold Time	0	-	-	ns
t_{DSW}	Write Data Setup Time	40	-	-	ns
t_{DHW}	Write Data Hold Time	44	-	-	ns
t_{DHR}	Read Data Hold Time	20	-	-	ns
t_{OH}	Output Disable Time	-	-	70	ns
t_{ACC}	Access Time	-	-	250	ns
PW_{CSL}	Chip Select Low Pulse Width (read)	120	-	-	ns
	Chip Select Low Pulse Width (write)	60	-	-	
PW_{CSH}	Chip Select High Pulse Width (read)	60	-	-	ns
	Chip Select High Pulse Width (write)	60	-	-	
t_R	Rise Time	-	-	15	ns
t_F	Fall Time	-	-	15	ns

$V_{CI} - V_{SS} = 2.1V$ to $3.5V$ ($T_A = 25^\circ C$)

Symbol	Parameter	Min	Typ	Max	Unit
t_{cyc}	Clock Cycle Time	300	-	-	ns
t_{AS}	Address Setup Time	10	-	-	ns
t_{AH}	Address Hold Time	0	-	-	ns
t_{DSW}	Write Data Setup Time	40	-	-	ns
t_{DHW}	Write Data Hold Time	20	-	-	ns
t_{DHR}	Read Data Hold Time	20	-	-	ns
t_{OH}	Output Disable Time	-	-	70	ns
t_{ACC}	Access Time	-	-	140	ns
PW_{CSL}	Chip Select Low Pulse Width (read)	120	-	-	ns
	Chip Select Low Pulse Width (write)	60	-	-	
PW_{CSH}	Chip Select High Pulse Width (read)	60	-	-	ns
	Chip Select High Pulse Width (write)	60	-	-	
t_R	Rise Time	-	-	15	ns
t_F	Fall Time	-	-	15	ns

Figure 12-1 : 6800-series MCU parallel interface characteristics

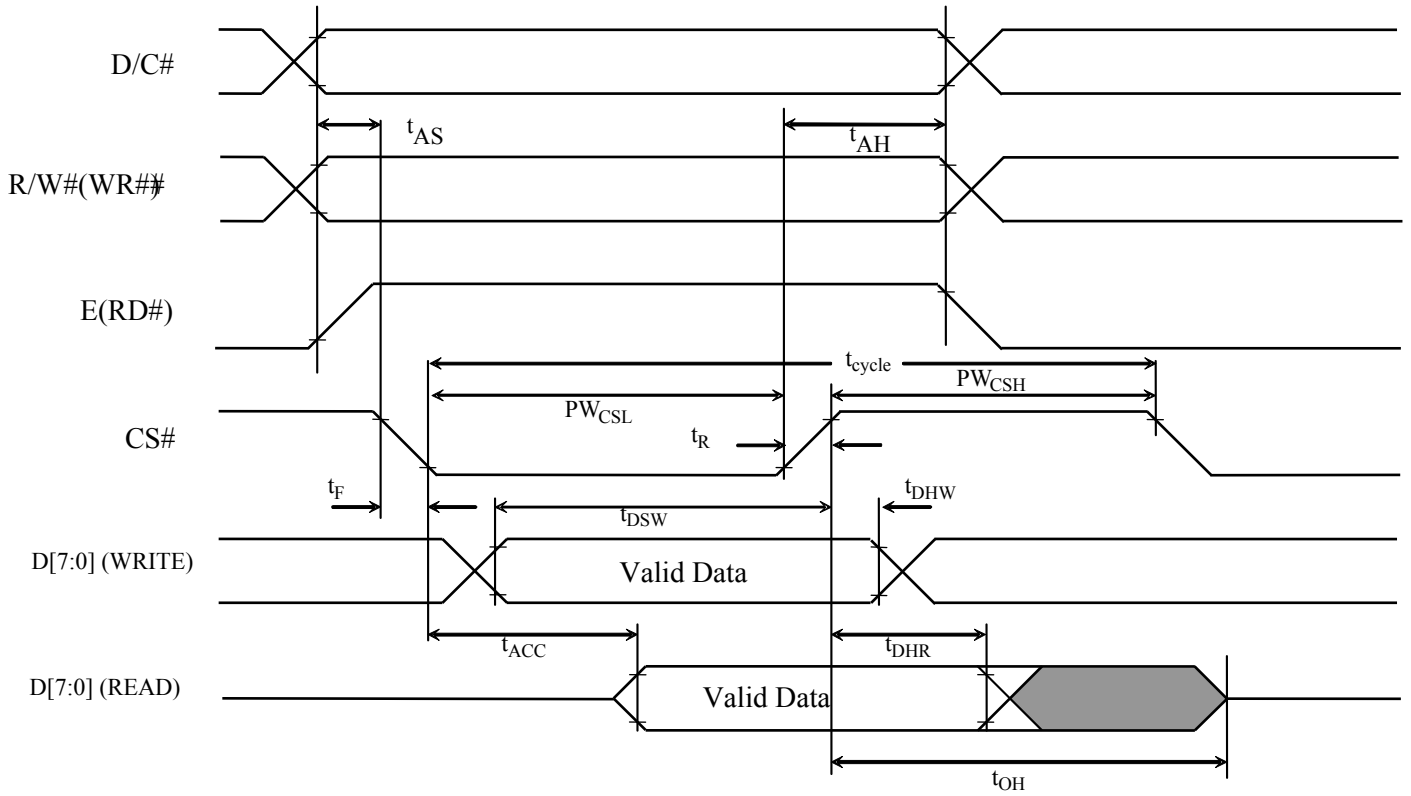


Table 12-3 : 8080-Series MCU Parallel Interface Timing Characteristics

$V_{CI} - V_{SS} = 1.65V$ to $2.1V$ ($T_A = 25^\circ C$)

Symbol	Parameter	Min	Typ	Max	Unit
t_{cycle}	Clock Cycle Time	300	-	-	ns
t_{AS}	Address Setup Time	30	-	-	ns
t_{AH}	Address Hold Time	0	-	-	ns
t_{DSW}	Write Data Setup Time	20	-	-	ns
t_{DHW}	Write Data Hold Time	42	-	-	ns
t_{DHR}	Read Data Hold Time	20	-	-	ns
t_{OH}	Output Disable Time	-	-	70	ns
t_{ACC}	Access Time	-	-	140	ns
t_{PWLR}	Read Low Time	150	-	-	ns
t_{PWLW}	Write Low Time	60	-	-	ns
t_{PWHR}	Read High Time	60	-	-	ns
t_{PWHW}	Write High Time	60	-	-	ns
t_R	Rise Time	-	-	15	ns
t_F	Fall Time	-	-	15	ns
t_{CS}	Chip select setup time	0	-	-	ns
t_{CSH}	Chip select hold time to read signal	0	-	-	ns
t_{CSF}	Chip select hold time	20	-	-	ns

$V_{CI} - V_{SS} = 2.1V$ to $3.5V$ ($T_A = 25^\circ C$)

Symbol	Parameter	Min	Typ	Max	Unit
t_{cycle}	Clock Cycle Time	300	-	-	ns
t_{AS}	Address Setup Time	18	-	-	ns
t_{AH}	Address Hold Time	0	-	-	ns
t_{DSW}	Write Data Setup Time	14	-	-	ns
t_{DHW}	Write Data Hold Time	20	-	-	ns
t_{DHR}	Read Data Hold Time	20	-	-	ns
t_{OH}	Output Disable Time	-	-	70	ns
t_{ACC}	Access Time	-	-	140	ns
t_{PWLR}	Read Low Time	150	-	-	ns
t_{PWLW}	Write Low Time	60	-	-	ns
t_{PWHR}	Read High Time	60	-	-	ns
t_{PWHW}	Write High Time	60	-	-	ns
t_R	Rise Time	-	-	15	ns
t_F	Fall Time	-	-	15	ns
t_{CS}	Chip select setup time	0	-	-	ns
t_{CSH}	Chip select hold time to read signal	0	-	-	ns
t_{CSF}	Chip select hold time	20	-	-	ns

Figure 12-2 : 8080-series MCU parallel interface characteristics

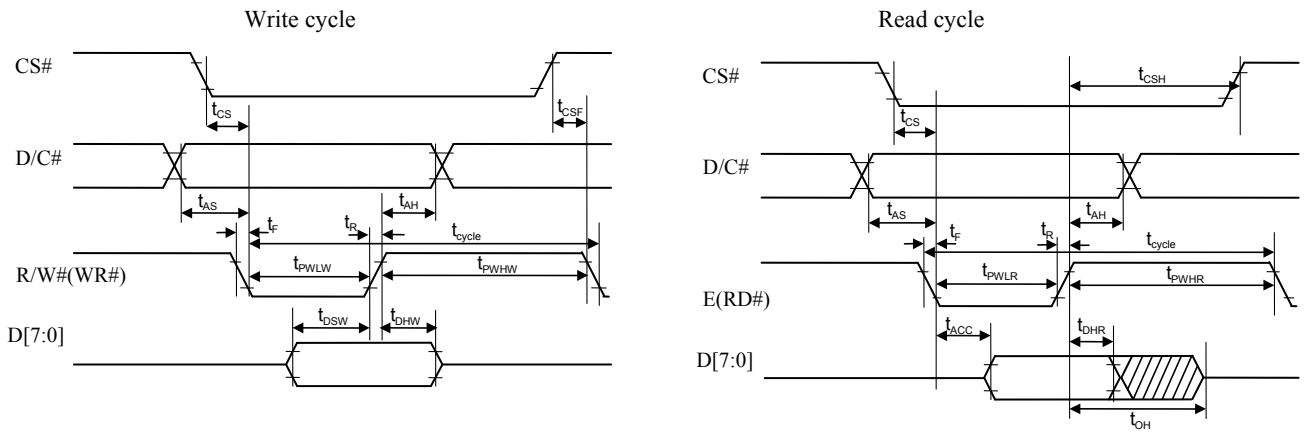


Table 12-4 : Serial Interface Timing Characteristics (4-wire SPI)

$V_{CI} - V_{SS} = 1.65V$ to $2.1V$ ($T_A = 25^\circ C$)

Symbol	Parameter	Min	Typ	Max	Unit
t_{cyc}	Clock Cycle Time	220	-	-	ns
t_{AS}	Address Setup Time	15	-	-	ns
t_{AH}	Address Hold Time	15	-	-	ns
t_{CSS}	Chip Select Setup Time	20	-	-	ns
t_{CSH}	Chip Select Hold Time	10	-	-	ns
t_{DSW}	Write Data Setup Time	15	-	-	ns
t_{DHW}	Write Data Hold Time	30	-	-	ns
t_{CLKL}	Clock Low Time	25	-	-	ns
t_{CLKH}	Clock High Time	20	-	-	ns
t_R	Rise Time	-	-	15	ns
t_F	Fall Time	-	-	15	ns

$V_{CI} - V_{SS} = 2.1V$ to $3.5V$ ($T_A = 25^\circ C$)

Symbol	Parameter	Min	Typ	Max	Unit
t_{cyc}	Clock Cycle Time	160	-	-	ns
t_{AS}	Address Setup Time	15	-	-	ns
t_{AH}	Address Hold Time	15	-	-	ns
t_{CSS}	Chip Select Setup Time	20	-	-	ns
t_{CSH}	Chip Select Hold Time	10	-	-	ns
t_{DSW}	Write Data Setup Time	15	-	-	ns
t_{DHW}	Write Data Hold Time	15	-	-	ns
t_{CLKL}	Clock Low Time	20	-	-	ns
t_{CLKH}	Clock High Time	20	-	-	ns
t_R	Rise Time	-	-	15	ns
t_F	Fall Time	-	-	15	ns

Figure 12-3 : Serial interface characteristics (4-wire SPI)

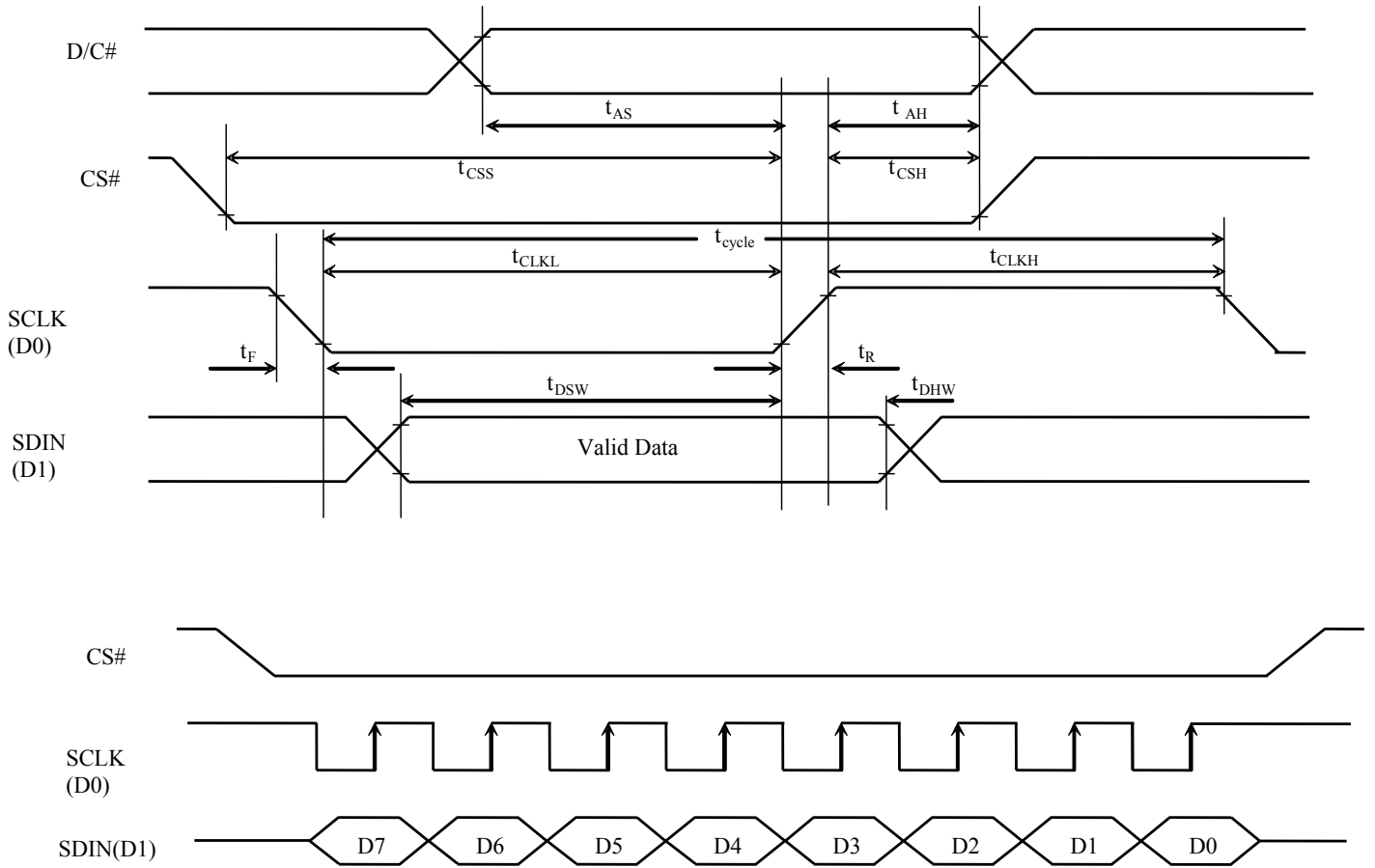


Table 12-5: Serial Interface Timing Characteristics (3-wire SPI)

$V_{CI} - V_{SS} = 1.65V$ to $2.1V$ ($T_A = 25^\circ C$)

Symbol	Parameter	Min	Typ	Max	Unit
t_{cyc}	Clock Cycle Time	100	-	-	ns
t_{CSS}	Chip Select Setup Time	20	-	-	ns
t_{CSH}	Chip Select Hold Time	30	-	-	ns
t_{DSW}	Write Data Setup Time	15	-	-	ns
t_{DHW}	Write Data Hold Time	30	-	-	ns
t_{CLKL}	Clock Low Time	25	-	-	ns
t_{CLKH}	Clock High Time	35	-	-	ns
t_R	Rise Time	-	-	15	ns
t_F	Fall Time	-	-	15	ns

$V_{CI} - V_{SS} = 2.1V$ to $3.5V$ ($T_A = 25^\circ C$)

Symbol	Parameter	Min	Typ	Max	Unit
t_{cyc}	Clock Cycle Time	100	-	-	ns
t_{CSS}	Chip Select Setup Time	20	-	-	ns
t_{CSH}	Chip Select Hold Time	19	-	-	ns
t_{DSW}	Write Data Setup Time	15	-	-	ns
t_{DHW}	Write Data Hold Time	15	-	-	ns
t_{CLKL}	Clock Low Time	20	-	-	ns
t_{CLKH}	Clock High Time	20	-	-	ns
t_R	Rise Time	-	-	15	ns
t_F	Fall Time	-	-	15	ns

Figure 12-4: Serial interface characteristics (3-wire SPI)

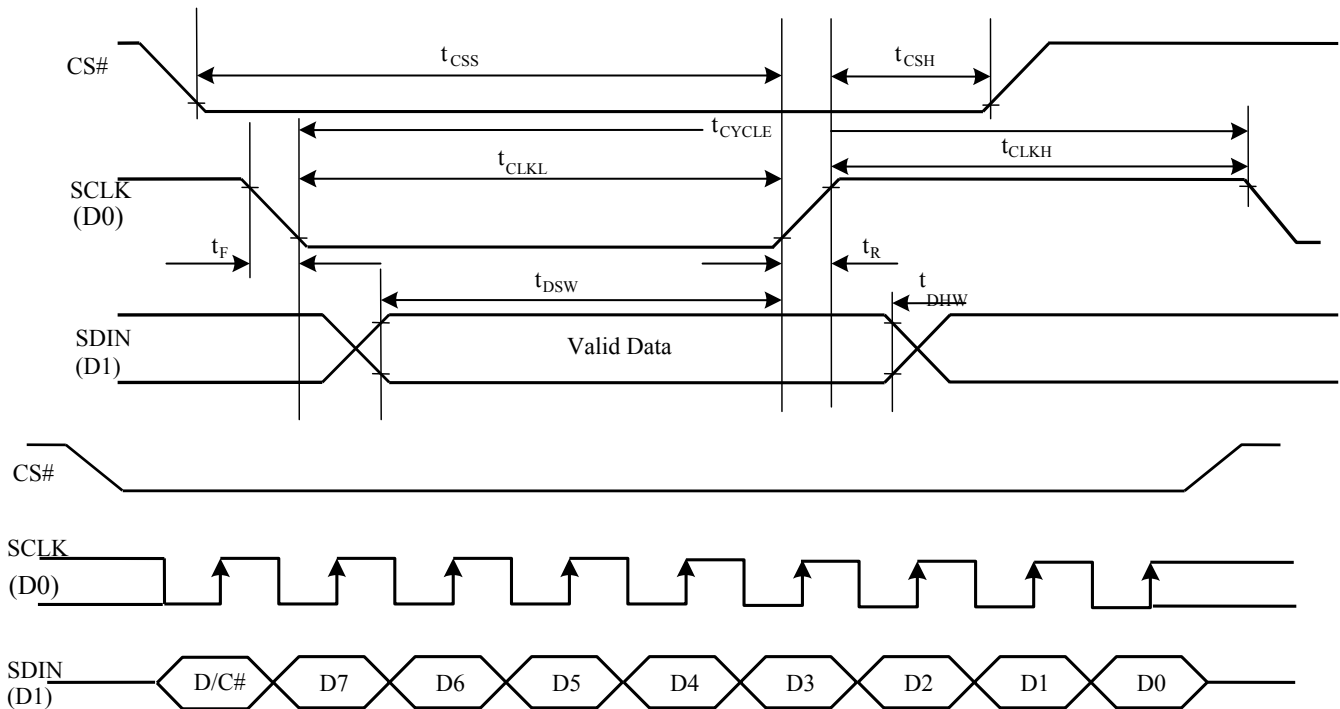
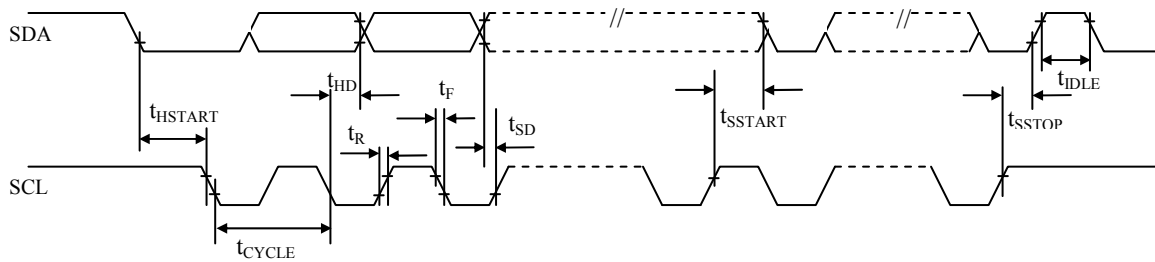


Table 12-6: I²C Interface Timing Characteristics

($V_{CI} - V_{SS} = 1.65V$ to $3.5V$, $T_A = 25^\circ C$)

Symbol	Parameter	Min	Typ	Max	Unit
t_{cycle}	Clock Cycle Time	2.5	-	-	us
t_{HSTART}	Start condition Hold Time	0.6	-	-	us
t_{HD}	Data Hold Time (for “SDA _{OUT} ” pin)	0	-	-	ns
	Data Hold Time (for “SDA _{IN} ” pin)	300	-	-	ns
t_{SD}	Data Setup Time	100	-	-	ns
t_{SSTART}	Start condition Setup Time (Only relevant for a repeated Start condition)	0.6	-	-	us
t_{SSTOP}	Stop condition Setup Time	0.6	-	-	us
t_R	Rise Time for data and clock pin	-	-	300	ns
t_F	Fall Time for data and clock pin	-	-	300	ns
t_{IDLE}	Idle Time before a new transmission can start	1.3	-	-	us

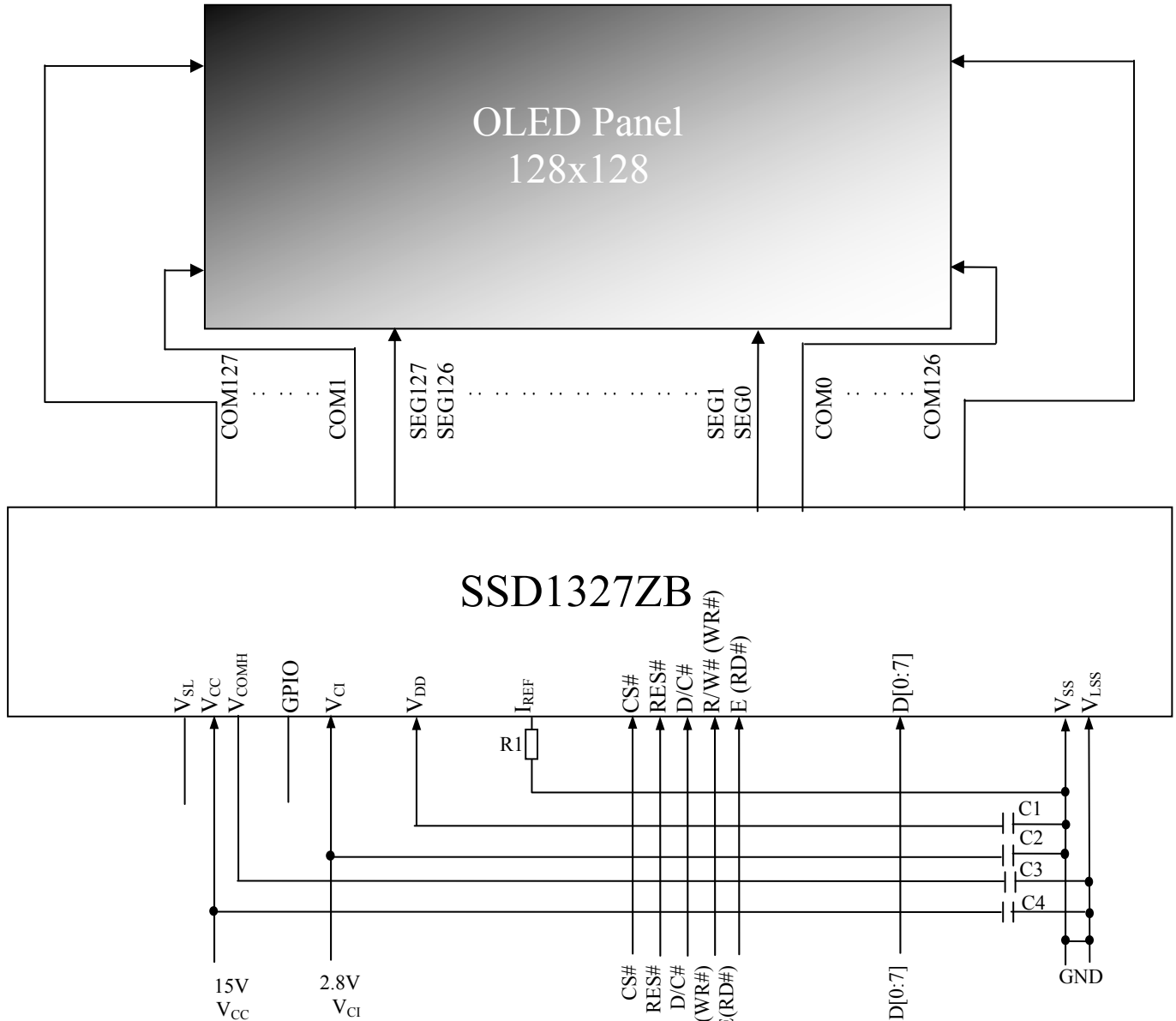
Figure 12-5: I²C interface Timing characteristics



13 APPLICATION EXAMPLE

Figure 13-1 : SSD1327ZB application example for 8-bit 6800-parallel interface mode (Internal regulated V_{DD})

The configuration for 8-bit 6800-parallel interface mode, externally V_{CC} is shown in the following diagram:
 (V_{CI} = 2.8V (V_{CI} must be > 2.6V), Internal regulated V_{DD} = 2.5V, external V_{CC} = 15V, I_{REF} = 10uA)



Voltage at I_{REF} ≈ V_{CC} - 3V. For V_{CC} = 15V, I_{REF} = 10uA:
 $R1 = (Voltage\ at\ I_{REF} - V_{SS}) / I_{REF}$
 $\approx (15 - 3)V / 10\mu A = 1.2M\Omega$
 C1 = C2: 1uF⁽¹⁾, C3 = C4: 4.7uF⁽¹⁾

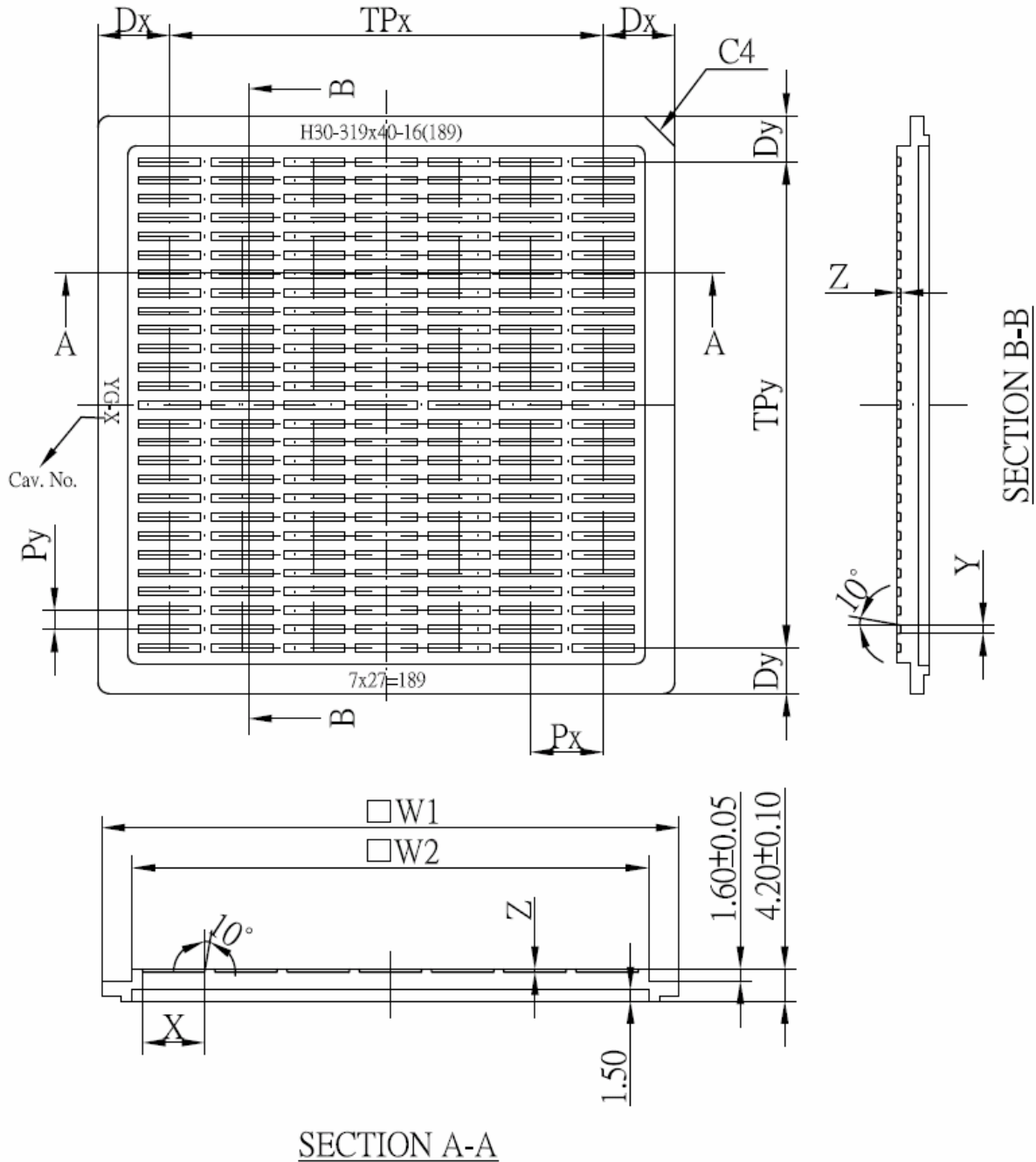
- COG connection recommendations:**
 Pin connected to MCU interface: D0~D7, E, R/W#, D/C#, CS#, RES#
 Pin internally connected to V_{CI}: CLS, BS2
 Pin internally connected to V_{SS}: BGGND, CL, BS1, BS0
 Pin floated: GPIO⁽²⁾, VSL⁽²⁾, FR

- Notes**
⁽¹⁾ The value is recommended value. Select appropriate value against module application.
⁽²⁾ Depends on module application. Note that VSL may assist in heat dissipation in module level.
⁽³⁾ V_{LSS} of IC pad no. 29 to 85 are recommended to be connected to the V_{LSS} of pad no. 28 and 86 to form a larger area of GND.
⁽⁴⁾ V_{LSS} and V_{SS} are not recommended to be connected on the ITO routing, but connected together in the PCB level at one common ground point for better grounding and noise insulation.

14 PACKAGE INFORMATION

14.1 SSD1327ZB Die Tray Information

Figure 14-1: SSD1327ZB Die Tray Drawing



Remark

1. Tray material: Permanent Antistatic
2. Tray color code: Black
3. Surface resistance $10^9 \sim 10^{12} \Omega$
4. Pocket bottom: Rough Surface

Table 14-1: SSD1327ZB Die Tray Dimensions

Parameter	Dimensions	
	mm	(mil)
W1	76.00±0.10	(2992)
W2	68.00±0.10	(2677)
W3	68.30±0.10	(2689)
D _X	9.44±0.10	(372)
TP _X	57.12±0.10	(2249)
D _Y	6.02±0.10	(237)
TP _Y	63.96±0.10	(2518)
P _X	9.52±0.05	(375)
P _Y	2.46±0.05	(97)
X	8.09±0.05	(319)
Y	1.02±0.05	(40)
Z	0.40±0.05	(16)
N (number of die)	180	

Solomon Systech reserves the right to make changes without notice to any products herein. Solomon Systech makes no warranty, representation or guarantee regarding the suitability of its products for any particular purpose, nor does Solomon Systech assume any liability arising out of the application or use of any product or circuit, and specifically disclaims any, and all, liability, including without limitation consequential or incidental damages. "Typical" parameters can and do vary in different applications. All operating parameters, including "Typical" must be validated for each customer application by the customer's technical experts. Solomon Systech does not convey any license under its patent rights nor the rights of others. Solomon Systech products are not designed, intended, or authorized for use as components in systems intended for surgical implant into the body, or other applications intended to support or sustain life, or for any other application in which the failure of the Solomon Systech product could create a situation where personal injury or death may occur. Should Buyer purchase or use Solomon Systech products for any such unintended or unauthorized application, Buyer shall indemnify and hold Solomon Systech and its offices, employees, subsidiaries, affiliates, and distributors harmless against all claims, costs, damages, and expenses, and reasonable attorney fees arising out of, directly or indirectly, any claim of personal injury or death associated with such unintended or unauthorized use, even if such claim alleges that Solomon Systech was negligent regarding the design or manufacture of the part.



The product(s) listed in this datasheet comply with Directive 2002/95/EC of the European Parliament and of the council of 27 January 2004 on the restriction of the use of certain hazardous substances in electrical and electronic equipment and People's Republic of China Electronic Industry Standard SJ/T 11363-2006 "Requirements for concentration limits for certain hazardous substances in electronic information products (电子信息产品中有毒有害物质的限量要求)". Hazardous Substances test report is available upon request.

<http://www.solomon-systech.com>