

4

3

2

1

D

C

B

A

A

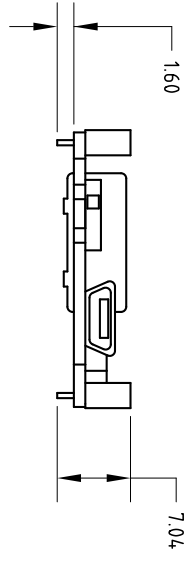
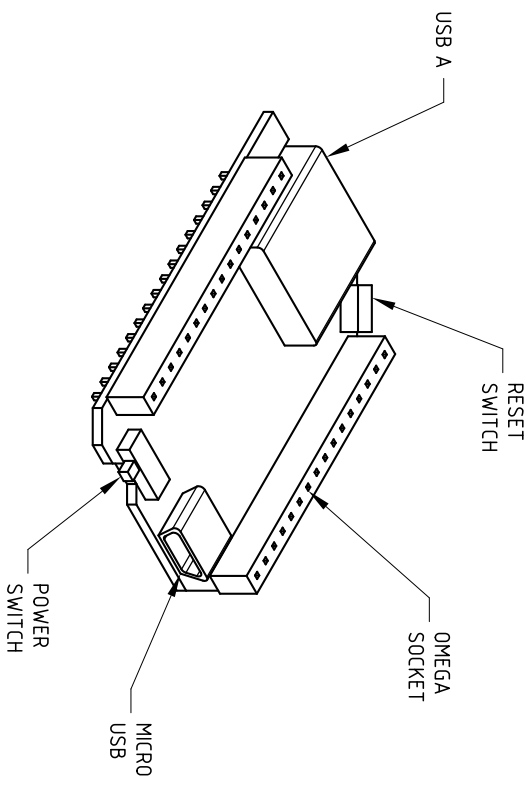
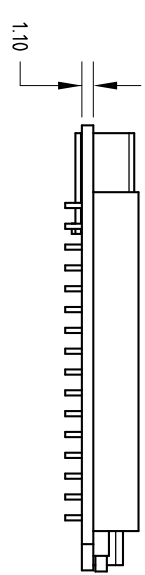
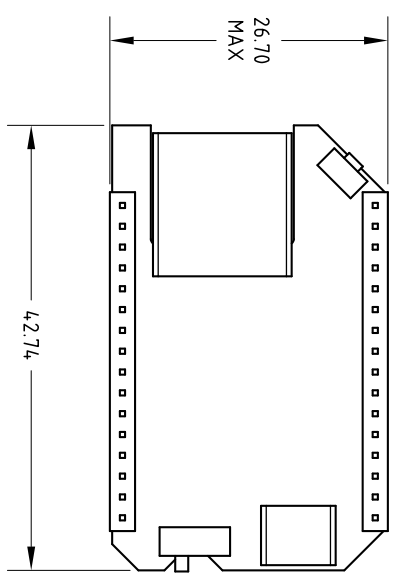
D

C

B

A

A



ONLY MAJOR COMPONENTS ARE MODELED

|   |          |          |            |       |
|---|----------|----------|------------|-------|
| UNLESS OTHERWISE SPECIFIED:<br>DIMENSIONS ARE IN MM<br>XX = ±0.0-<br>XXX = ±0.00-<br>XXXX = ±0.000- |          | NAME     | DATE       | TITLE |
| ANGULAR L = ±°  | DRAWN    | G.O      | 2016-02-11 |       |
| FRACTIONAL = ±  | CHECKED  |          |            |       |
| SURFACE FINISH  | APPROVED |          |            |       |
| DO NOT SCALE DRAWING  |          | MATERIAL | FINISH     |       |
| BREAK ALL SHARP EDGES AND REMOVE BURRS  |          |          |            |       |
| THIRD ANGLE PROJECTION  |          |          |            |       |



|                   |           |          |        |
|-------------------|-----------|----------|--------|
| ONION CORPORATION | MINI DOCK | OM-D-MIN | 1 of 5 |
| SCALE 2:1         | DWG NO.   | REV. A   |        |

4

3

2

1

4

3

2

1

D

D

38.67

6.59

C

C

22.30

26.37

10.60

17.45

19.78

5.02

3.71

4.274

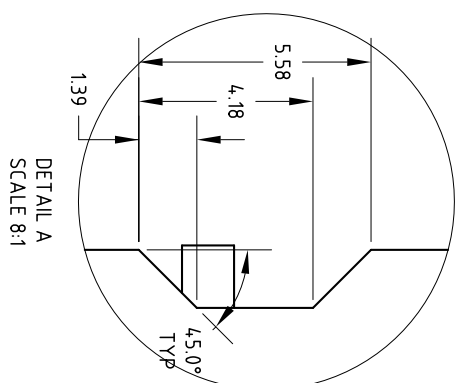
4.022

A

A

BOARD OUTLINE  
(BOTTOM VIEW)

SCALE 4:1



4

3

2

1

4

3

2

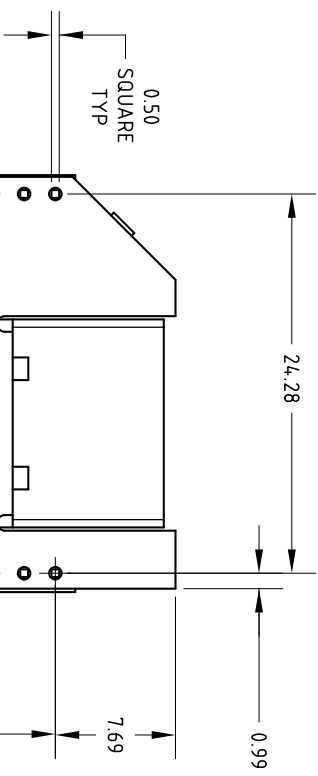
1

D

C

B

A



PIN DETAIL  
(BOTTOM VIEW)

4

3

2

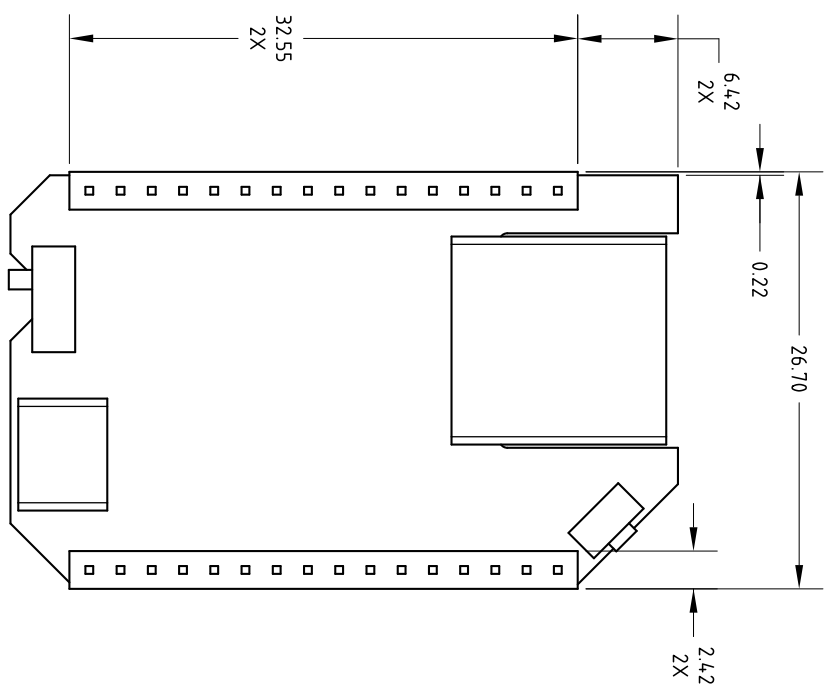
1

D

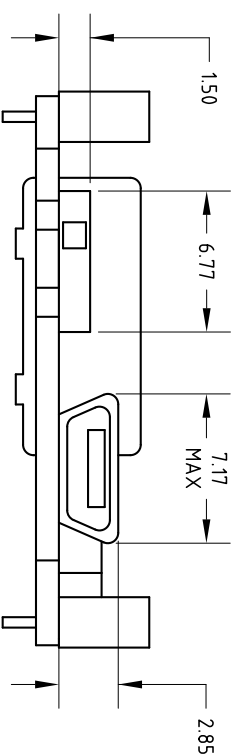
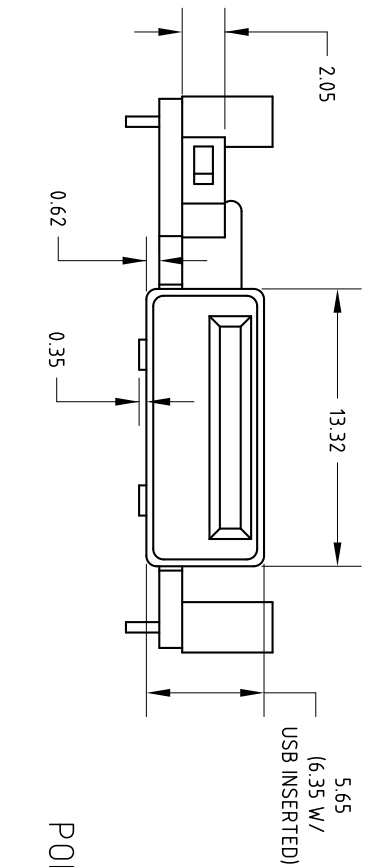
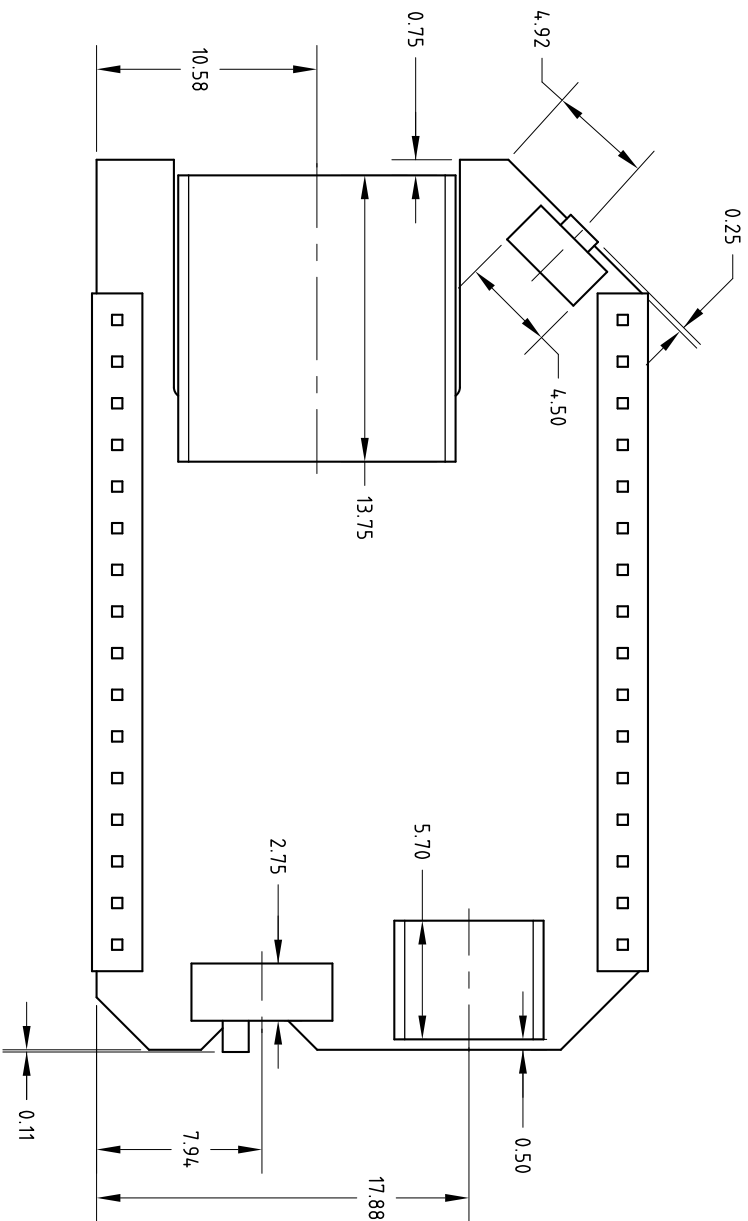
C

B

A



PIN DETAIL  
(TOP VIEW)



PORT AND SWITCH  
DETAIL

4

3

2

1

4

3

2

1

A

B

C

D

A

B

C

D

4

3

2

1

D

D

C

C

B

B

A

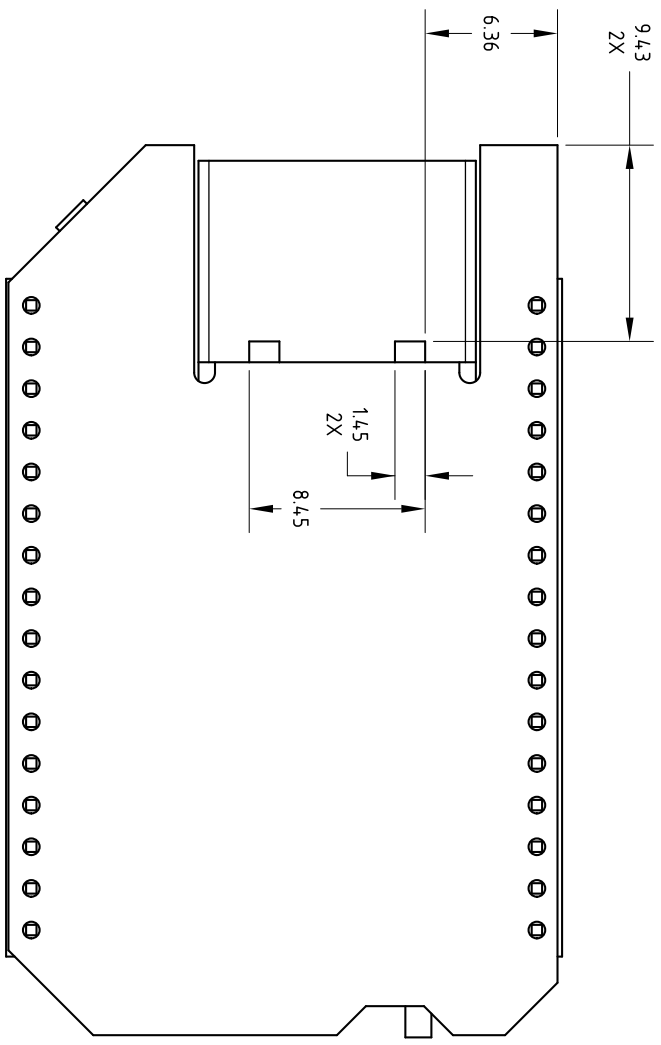
A

4

3

2

1



USB BOTTOM  
DETAIL